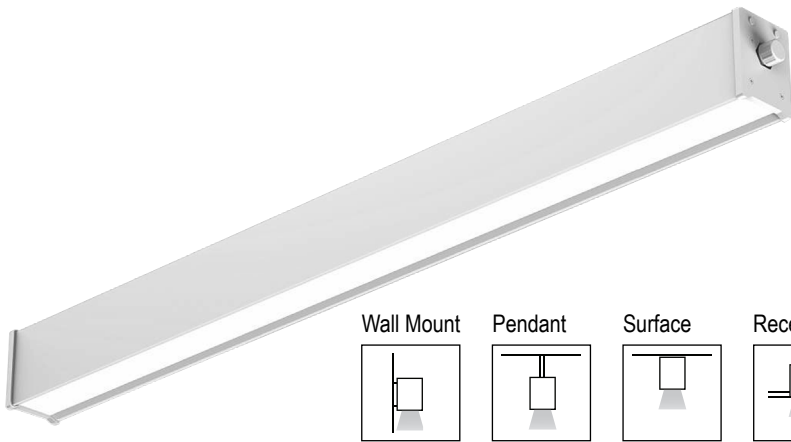


# TritonX

Pendant, Surface, Wall Mount, Recessed



Wall Mount

Pendant

Surface

Recessed

**DESCRIPTION**

TritonX is expertly designed for demanding applications, making it the ideal IP65-rated solution for wet and harsh environments. Its robust three-cavity aluminum housing, double-layer isolation, and sealed end caps provide superior protection against moisture, dust, and wind. With versatile mounting options including pendant, recessed, wall, and surface paired with IK08 impact resistance, TritonX sets a new standard in durability and adaptability.

**APPLICATION**

TritonX provides unmatched versatility with available lengths of 2', 4' and 8', along with support for continuous runs. Its independently controllable direct distribution options make it ideal for a variety of indoor spaces, such as offices, retail environments, lobbies, conference rooms, and other modern settings. This fixture is engineered to deliver superior performance while enhancing any atmosphere.

**LENGTHS**

Available in 2', 4', 8' length. Additional fixture lengths are available please consult factory.

**FEATURES**

- H-shaped extruded aluminum with a 2.99" aperture, delivering sleek linear direct lighting.
- Versatile configurations: Available as individual units or seamless continuous runs.
- Flexible mounting options: Supports Pendant, Surface, Wall Mount, and Recessed installations.
- Soft, uniform illumination: Perfect for architectural lighting in commercial, hospitality, and residential interiors.
- IP65 Wet Location.

**CONSTRUCTION**

Extruded from 6063 aluminum. Die-casting end-cap ensure a robust and clean construction. Co-extruded stabilized gaskets run the length of the diffusers to prevent water and dust intrusion. Rated IP65 wet location suitable.

**ELECTRICAL**

0-10V Dimming provided as standard.

**CONTROLS & INTEGRATED SENSORS**

Equipped standard with a 0-10V continuous dimming driver. Compatible with most standard dimming devices.

Additional control types are available (DALI & Lutron) at an additional cost

**FINISH**

Powder coated white, black or silver are standard. Custom RAL colors Available.

**MOUNTING**

Available mounting options include pendant, surface, wall mount, and recessed.

**WEIGHT**

Approximately 1.87lbs per foot, Weight may vary depending on mounting and additional options selected.

\*IES Files available upon request or visit vivid-forms.com

**ORDERING INFORMATION**

Series	Length/Output	Voltage	Color temperature	Dimming	Finish	Option	Mounting	Accessories

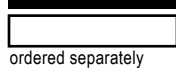
ordered separately

ordered separately

Series	Length/Output	Voltage	Color temperature	Dimming	Finish	Option	Mounting (Ordered Separately)
TX TritonX	21 - 2ft, 10W/15W/20W 42 - 4ft, 20W/30W/40W 49 - 4ft, 90W 84 - 8ft, 40W/60W/80W 81 - 8ft, 180W	UNV - 120-277V	3CCTA - 30K/35K/40K 3CCTB - 30K/40K/50K RGB - RGB RGBW - RGBW D - Tunable White	DM - 0-10V Dimming DA - DALI L - Lutron	WH - White BK - Black SA - Silver CC - Custom Color	EM - Emergency Backup MS - Microwave Sensor PIR - PIR Sensor BM - Mesh Control PIR Sensor X - None	NPT - 1/2" & 3/4 NPT Stem Pendant SMB - B-Type Surface Mount WMB - B-Type Wall Mount RMG - Frame Type Recessed Mount Kit RML - C-Type/Flangeless Recessed Mount Kit

**ACCESSORIES**

Accessories

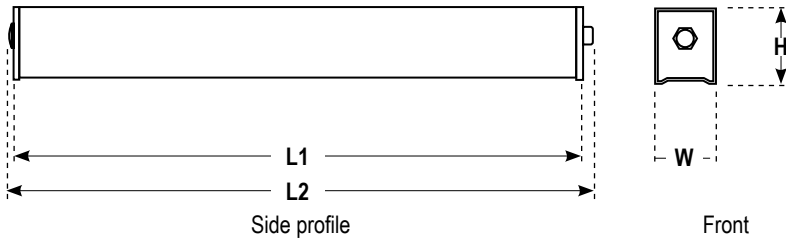


ordered separately

**Accessories Option**

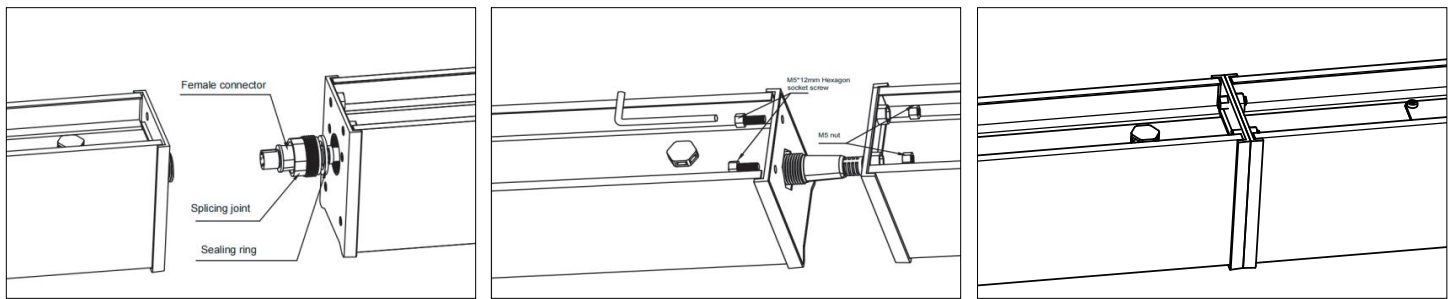
- AC07 - 5-Core 300V Cable 7ft, L=2.13m
- AC12 - 5-Core 300V Cable 12ft, L=3.66m
- JUM1FT - Jumper 1ft Cable
- JUM3FT - Jumper 3ft Cable
- JUM12FT - Jumper 12ft Cable

## DIMENSION



Size	L1 Length	L2 Length	W=Width	H=Height
2'	23.94"	24.69"	2.99"	3.78"
4'	47.56"	48.31"		
8'	94.80"	95.55"		

## QUICK LINKABLE FUNCTION



Connect the male and female cables, and then tighten the end caps of the two fixtures with screws and nuts to quickly splice them. For linkable details please see the installation instructions.

## MOUNTING OPTIONS

### NPT Pendant



1. Pendant Fixed Bracket 1/2"
2. Screw PM4\*8

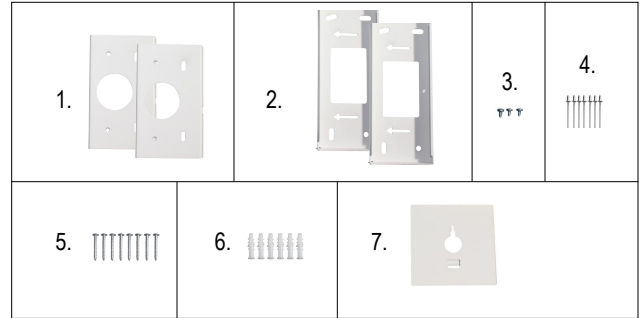
### SMB Surface Mount



1. Surface Mount Bracket
2. Screw BA4\*30
3. Plastic Anchor

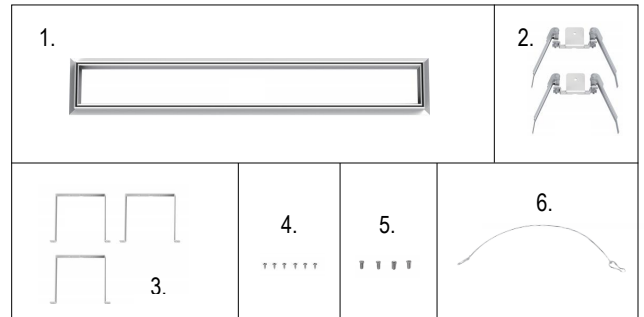
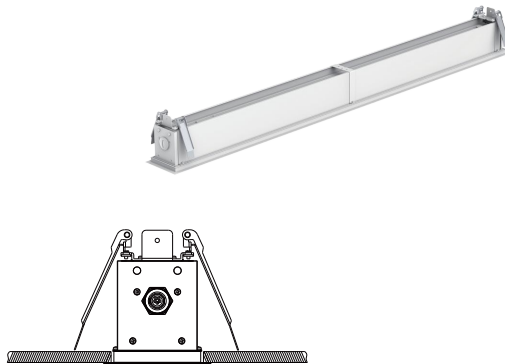
## MOUNTING OPTIONS

**WMB** Wall Mount



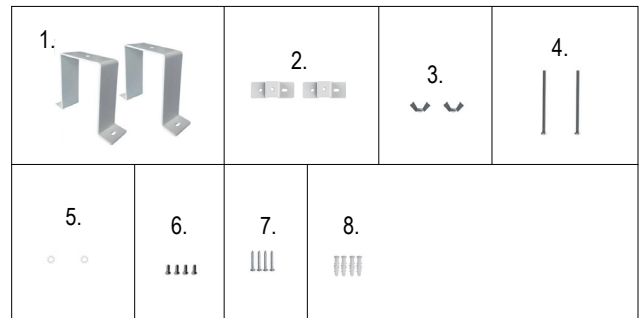
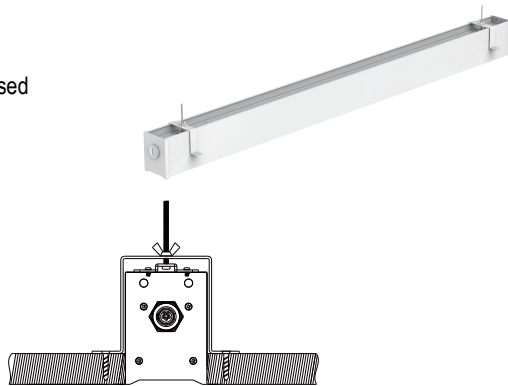
1. B Wall-mount Bracket-1(On fixture)
2. B Wall-mount Bracket-2(On wall)
3. Screw PM4x6MM
4. Rivet
5. Screw BA4x30MM
6. Plastic Anchor
7. TritonXrative plate

**RMG** Recessed  
Frame type recessed mount kit



1. Recessed Frame
2. Fixture Spring Clips
3. U Bracket
4. Screw PB3.5\*8
5. Screw PM4\*8
6. Safety Cable

**RML** C-Type/Flangeless Recessed  
Mount Kit



1. U Bracket
2. Fixed Bracket
3. M5 Wing nut
4. Screw PM5\*50
5. Lock Washer
6. Screw PM4\*8
7. Screw PA4\*30
8. Plastic Anchor

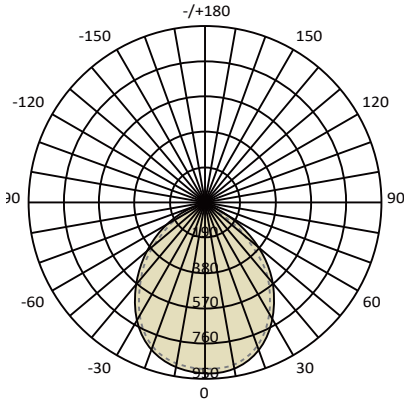
## PHOTOMETRICS

### Lumen output

Housing & CCT	Standard	High Power
White & 3000K	1150LM/FT,10W/ft	2580LM/FT,22.5W/ft

All efficacy is ±5% base on different CCT and lighting distributions. For other lens, CCT, housing color etc. please check the IES file to gain.

TritonX/21/4000K/White/Beam angle 110°



Average Beam Angle (50%) : 109.8°

**Lumen/ft:1252.39lm/ft**  
**Total Lumens:2504.78 lm(for 2ft)**  
**Input Watts: 19.7W**  
**Efficacy:127.15lm/W**

### Zonal Flux Diagram

Y	C0	C45	C90	C135	C180
5	896.1	896.6	900.2	904.8	904.4
10	877.0	879.9	885.8	896.1	894.8
15	850.4	854.0	864.0	878.0	876.7
20	817.0	820.9	834.1	852.1	850.1
25	776.4	782.4	799.7	818.1	815.1
30	729.5	733.7	755.2	777.1	774.7
35	676.3	683.2	704.5	729.0	726.5
40	618.2	625.5	648.0	675.7	672.6
45	552.8	563.0	586.4	616.4	613.5
50	483.9	495.5	521.2	553.1	547.6
55	412.6	424.9	451.7	484.5	478.1
60	339.0	351.1	380.0	413.3	405.6
65	264.6	276.4	306.9	339.7	331.4
70	191.0	201.9	234.0	264.3	255.9
75	120.7	130.6	162.7	190.1	182.0
80	54.59	63.83	94.49	118.9	110.2
85	4.645	9.891	34.56	54.55	44.57
90	0.1436	0.1596	0.1260	4.057	3.511
DEG	LUMINOUS INTENSITY:cd				

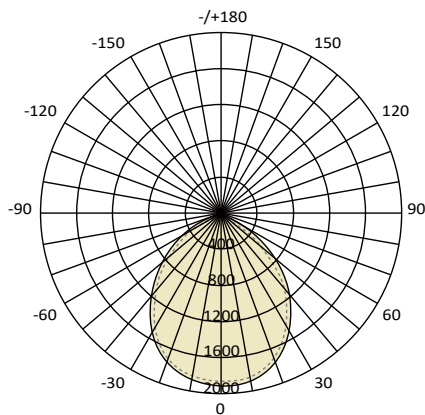
### Zonal Lumens

Y	Φ Zone	Φ Total
0-5	21.57	21.57
5-10	63.90	85.47
10-15	103.9	189.3
15-20	140.0	329.3
20-25	171.1	500.4
25-30	196.1	696.5
30-35	214.4	910.9
35-40	225.2	1136
40-45	228.4	1365
45-50	223.7	1588
50-55	211.4	1800
55-60	192.0	1992
60-65	166.5	2158
65-70	136.0	2294
70-75	102.0	2396
75-80	66.78	2463
80-85	32.75	2496
85-90	7.464	2503

### Zonal Lumens

G(DEG)	C0/180	C90/270
85	2128	15880
80	12554	21794
75	18615	25179
70	22302	27404
65	25006	29083
60	27075	30440
55	28726	31543
50	30063	32476
45	31220	33218

TritonX/42/4000K/White/Beam angle 110°



Average Beam Angle (50%) : 110.0°

**Lumen/ft:1318.56lm/ft**  
**Total Lumens:5274.29 lm(for 4ft)**  
**Input Watts: 41.8W**  
**Efficacy:126.18lm/W**

### Zonal Flux Diagram

Y	C0	C45	C90	C135	C180
5	1867	1876	1889	1900	1897
10	1823	1841	1868	1889	1882
15	1763	1790	1829	1859	1849
20	1687	1721	1774	1812	1798
25	1597	1638	1701	1747	1730
30	1494	1541	1612	1665	1647
35	1380	1431	1509	1570	1549
40	1252	1309	1393	1460	1441
45	1112	1175	1268	1340	1322
50	966.6	1032	1128	1210	1184
55	816.5	883.5	984.9	1067	1041
60	662.2	728.0	834.2	917.0	891.5
65	505.2	571.6	680.5	763.2	738.1
70	354.3	415.2	525.3	605.0	582.2
75	210.6	266.8	373.3	446.6	428.1
80	77.19	128.1	227.2	294.9	277.9
85	6.719	20.38	91.42	154.8	137.4
90	0.3234	0.2856	0.2692	30.08	19.31
DEG	LUMINOUS INTENSITY:cd				

### Zonal Lumens

Y	Φ Zone	Φ Total
0-5	45.11	45.11
5-10	133.7	178.8
10-15	217.3	396.1
15-20	293.0	689.1
20-25	358.2	1047
25-30	410.7	1458
30-35	448.9	1907
35-40	471.8	2379
40-45	478.5	2857
45-50	468.8	3326
50-55	443.4	3769
55-60	403.7	4173
60-65	351.1	4524
65-70	287.8	4812
70-75	217.5	5030
75-80	144.4	5174
80-85	74.18	5248
85-90	21.81	5270

### Zonal Lumens

G(DEG)	C0/180	C90/270
85	2567	34997
80	14801	43655
75	27098	48117
70	34490	51241
65	39807	53718
60	44101	55662
55	47399	57288
50	50071	58556
45	52376	59808