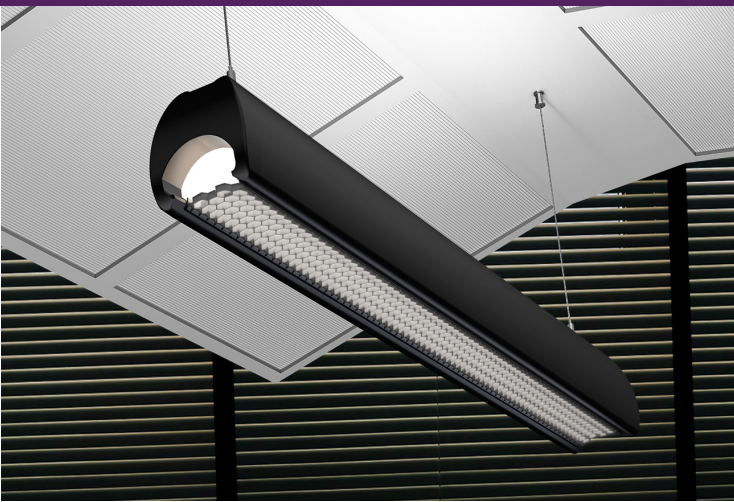


# Flume

## Architectural Linear Pendant

Type:

Fixture:

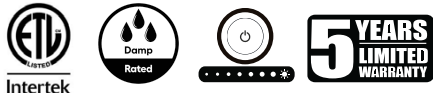


### DESCRIPTION

The Flume Architectural Linear is a unique lighting series crafted to enhance any environment. With its timeless and sleek design, it effortlessly blends with modern decors and workspaces, bringing a touch of sophistication. These linear luminaires provide powerful illumination, effortlessly elevating the ambiance of any space.

### APPLICATION

The modern sophistication of the Flume series renders it perfect for diverse indoor environments. Its pendant light variant is perfect for illuminating offices, entryways, conference rooms, retail spaces, lobbies, and many more settings. Furthermore, it offers a recessed mounting option, ensuring an even more polished and seamless look.



### CONSTRUCTION

Extruded aluminum housing.

### FINISH

Powder coat black, white finish. Custom RAL colors available.

### OPTICS

Advanced HEX comb louver for low glare down-light distribution. Wide batwing up-light provides ceiling uniformity and room fill.

### ELECTRICAL

Class 2 high efficiency LED driver, with a standard 0-10V driver which continuous dims to 10% that works with many types of controls. Standard electronic drivers are UL recognized and available for 100-277V. Lumen maintenance is (L90) at 61,000 hours.

### MOUNTING

Pendant

\*IES Files available upon request or visit [vivid-forms.com](http://vivid-forms.com)

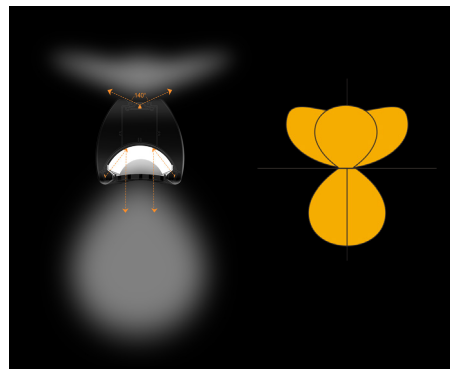
## ORDERING INFORMATION

SSL18 - [ ] - [ ] - [ ] - [ ] - [ ] - [ ] - [ ] - [ ] - [ ] - [ ]

Series	Length	Output	Voltage	CCT	Dimming	Optics	Finish	Mounting	EM
FLM - (Flume Linear)	4 - 4 FT	2040 - (30w/40w/50w) 4ft	U - (100 -277V)	3CCTA - (30K/35K/40K)	D10 - (0-10V dimming)  DA - DALI	NL - No Louver  HC - HEX Comb Louver	WH - (White) BL - (Black) CC - (Custom color)	P - (Pendant)	EM - Emergency Backup
	8 - 8 FT	4080 - (60w/80w/100w) 8ft							
	C - CustomFT	CO - Custom Output							



Pendant Mount Options	Additional Options (Ordered Separately)
STC - Suspension Aircraft Kits	
SCS - Drop Ceiling Suspension	
SDS - Drywall Suspension	

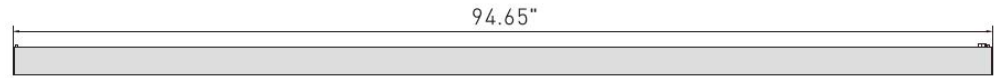
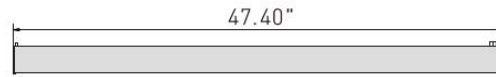
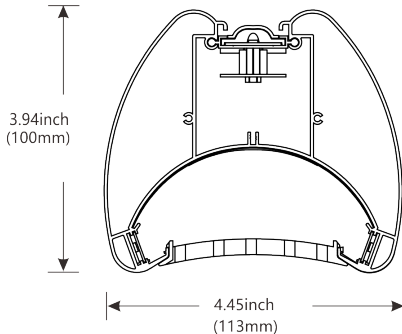


\*\* = Made to Order. Additional cost and/or lead time on customized fixtures may apply. Some fixtures require an MOQ. Please contact your sales rep for more information.

Type:

Fixture:

## Dimensions



## Construction

- Precision cut housing extruded from 6063 aluminum
- Die-casting end-caps ensure a robust and clean construction
- Advanced diffuse reflection design shape the down light distribution. Upper wide batwing light distribution provides ceiling uniformity and room fill.
- Standard white, black, silver and custom powder coat paint

## Light Engine

- LED's are available in 3000K, 3500K, 4000K or 5000K,3-CCT select
- CRI ≥90CRI as standard(Lumen output will be affected - please refer to the lumen adjustment factor table)

## LED Drivers

- LED system coupled with electrical driver
- Traditional electronic drivers are available for 120- 277V and 347V applications

## Controls and Integrated Sensors

- Equipped standard with a 0-10V continuous dimming driver. Compatible with most standard dimming devices,1-100%
- Additional control types are available (DALI & Lutron) at an additional cost

## Mounting

- Pendant

## Lengths

- Available in 4ft and 8ft
- Additional fixture lengths are available please consult factory. All lengths are nominal and do not include end caps.

## Lumen Maintenance

- 90% (L90) of initial light output at 61,000+ hrs
- 70% (L70) of initial light output at 237,000+ hrs
- Derived from TM-21 standard @25°C for worst case operating conditions

## Electrical

- 0-10v Dimming provided as standard
- Dimming wires capped for non-dimming use

## Weight

- 4FT= 9.26 lb
- 8FT= 17.26 lb

## Approvals

- ETL - listed for damp locations



## Warranty

Five year warranty standard. Optional ten year warranty available.