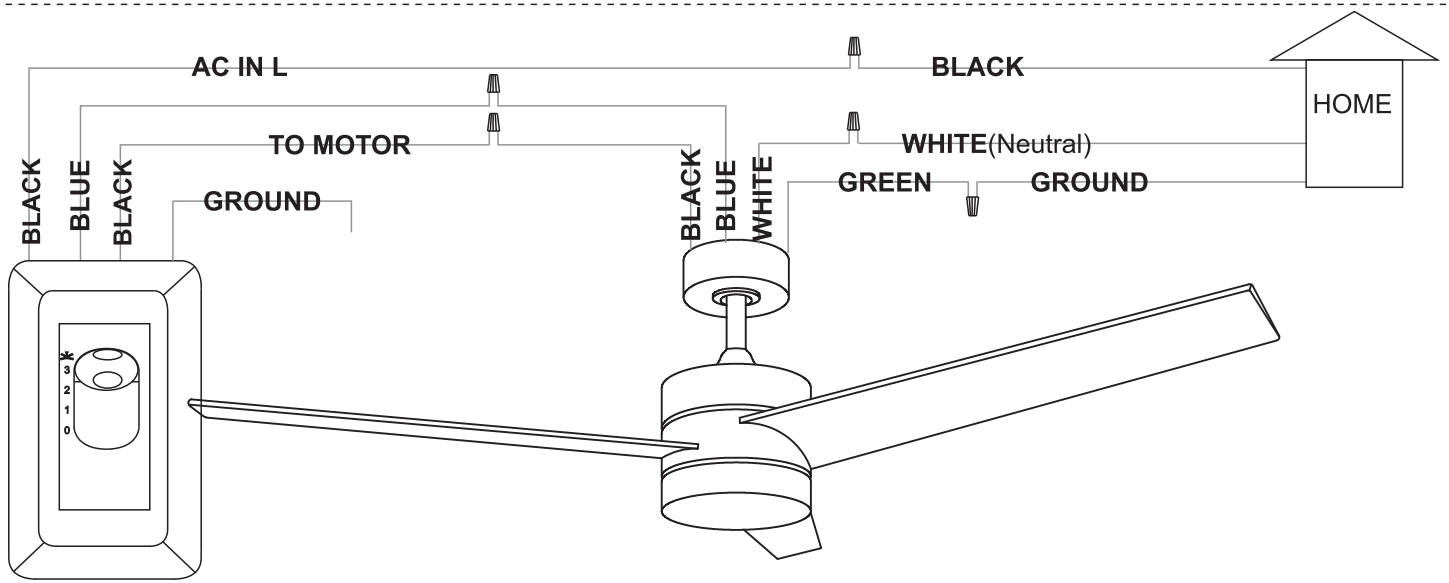


6. ELECTRIC CONNECTIONS



Figures 1

SPECIFICATION and INSTRUCTION SHEET

DESCRIPTION: One Ceiling Fan&Light, 3Speed wall Control

ELECTRICAL SPECS: 120 Volts, 60Hertz, Light Rating 300W Max ,Fan 5A Max.

NOTE: If fan or supply wires are different colors than indicated, have this unit installed by a qualified electrician.

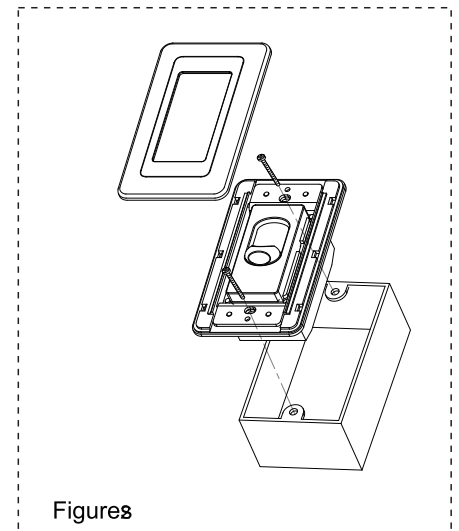
1 .Installing Wall Control(Figures 1):With electrical power still disconnected, remove the existing wall plate and switch. Make wiring connections with wire nuts as shown inFigure 1 .

Attach wall control unit to outlet box using the two screws provided. Attach wall plate to the switch control front. Restore electrical power.

2.Operating & Using Wall Control: NOTE: Set pull chain to high speed before using the wall control. You can now use your speed control to select any of the 3-speeds plus OFF.

- .0 Position-fan off Light Control
- .1 Position-high fan speed .Toggle Switch-on/off
- .2 Positon-medium fan speed
- .3 Position-low fan speed

3. Secure the wall-mounted control to the outlet box with two screws provided. Then, the face plate clicks on the wall control. (Fig. 2)



Figures

⚠ WARNING

To avoid possible fire or shock, make sure that the electrical wires are completely inside the outlet box and not pinched between the wall plate and the wall.

⚠ WARNING

Check to see that all connections are tight, including ground, and that no bare wire is visible at the wire connectors, except for the ground wire. Do not operate fan until the blades are in place. Noise and fan damage could result.