

BLAZE

Architectural Cylinder Luminaire (Surface Mount)



DESCRIPTION

Vivid Forms presents a wide array of cylinder lighting choices that perfectly enhance our suspended lighting collection, ensuring a uniform and appealing visual experience. Our elegant architectural cylinders seamlessly combine functionality and aesthetic appeal.

The Blaze cylinder from Vivid opens up exciting prospects within the commercial sector, offering modularity in lighting with a range of sizes, beam alternatives, and a high level of visual comfort thanks to its standard COB LED configuration. Now, it's accessible in surface mount setups, providing an attractive and streamlined lighting solution.

FEATURES

Modular design
 COB LED chip: 80+ standard, 90+ optional
 Dimming: 0-10V(10% standard, 1% optional) or TRIAC Beam angle:
 15°, 24°, 36°, 60° options
 Architectural form : 4", 6" and 8"
 Mounting: Surface
 Wattage Selectable

PERFORMANCE

Dimension	Wattage Selectable	Efficacy	Lumens
4"	25w/18w/12w	95lm/w	1140-2350lm
6"	40w/30w/20w	105lm/w	2100-4200lm
8"	58w/44w/29w	90lm/w	2610-5220lm

* Above apply to 3000K, 80+ CRI values only. Check the IES file to gain the other accurate data.

▶ Optics

It was powered by high efficiency COB LED chip. 15° / 24° / 36° / 60° fixed beam spread options. Cylinder beamspreads are interchangeable which can be easily swapped out in the field without tools.

▶ Finish

Constructed of rigid die cast aluminum. Powder coated polyester paint that comes standard in white and black.

▶ Electrical

LED Driver	It is powered by Class 2 high efficiency LED driver, with a standard 0-10V dimming which continuous dims to 10% or 1% . TRIAC dimming is available.
THD	<20%
Power Factor	>0.9
Input Voltage	Standard electronic drivers are cULus recognized and available for 120-277V AC.
Environment	Environment damp rated for ambient operating temperature of -20°C to +40°C (-4° to+104°F)

▶ LED System

CRI	COB LED with a 80+ is standard. 90 CRI is also available upon request by consulting the factory. They have been tested in accordance with IESNA LM-80 and the results have shown L80 lumen maintenance greater than 50,000 hours.
CCT	2700K, 3000K, 3500K and 4000K
Thermal Management	Aluminum housing acting as the heat sink to maximize life.

▶ Listings

- cULus listed for damp locations
- Five-year warranty for parts and components. (Labor not included)

Notes:

- Ambient temperatures at fixture location should not exceed 40°C during normal operation.
- For interior use only



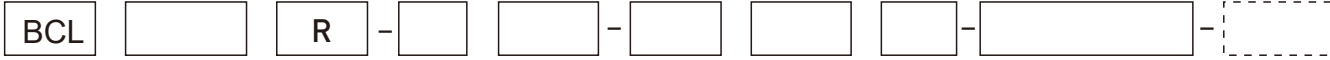
Architectural Cylinder Luminaire

Type:

Fixture:

ORDERING INFORMATION

Example: BCL6R-WH10-8035M-AW-RJSM



Product Family	Product Size	Product Shape	Finish	Dimming Options	CRI Options	LED Color Options	Beam Options	Trim Options	Mounting Options
BCL Architectural Cylinder Luminaire	4 4inch, Wattage Selectable 25W/18W/12W	R Round	WH White	0-10V	80 80+ CRI (Standard)	27 2700K COB	N Narrow Beam, 15°	Standard Aluminum	RJSM Surface Mount To Recessed Junction Box SJSM Surface Mount With Conduit Cutout For Surface Mounted 4" Octagonal Junction Box
	6 6inch, Wattage Selectable 40W/30W/20W		BL Black	10 Dims to 10% (Standard)	90 90+ CRI (Optional)	30 3000K COB	M Medium Beam, 24°		
	8 8inch, Wattage Selectable 58W/44W/29W		CM Custom Colors	01 Dim to 1% (Optional)		35 3500K COB	W Wide Beam, 36°	AB Black Baffle	
				TR TRIAC Dimming (Optional)	TR TRIAC Dimming (Optional)	40 4000K COB	F Flood Beam, 60°	AG Copper Baffle	
								AC Chrome Baffle	
								Decorative Options	
								DY Yellow	
								DG Green	
								DW Transparent	
								DB Blue	
								DR Red	

Mounting Options

4" / 6" / 8"

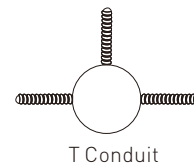
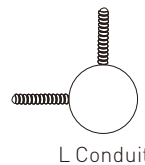
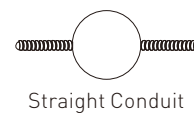
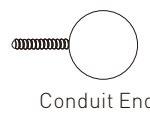
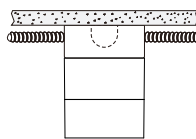
Surface Mounted To Recessed J-Box



Surface Mounted Conduit Cutout To Surface J-Box



Conduit cutout mounting example



Product Portfolio Configuration

White Exterior Finishes



Black Exterior Finishes



BLAZE

Architectural Cylinder Luminaire

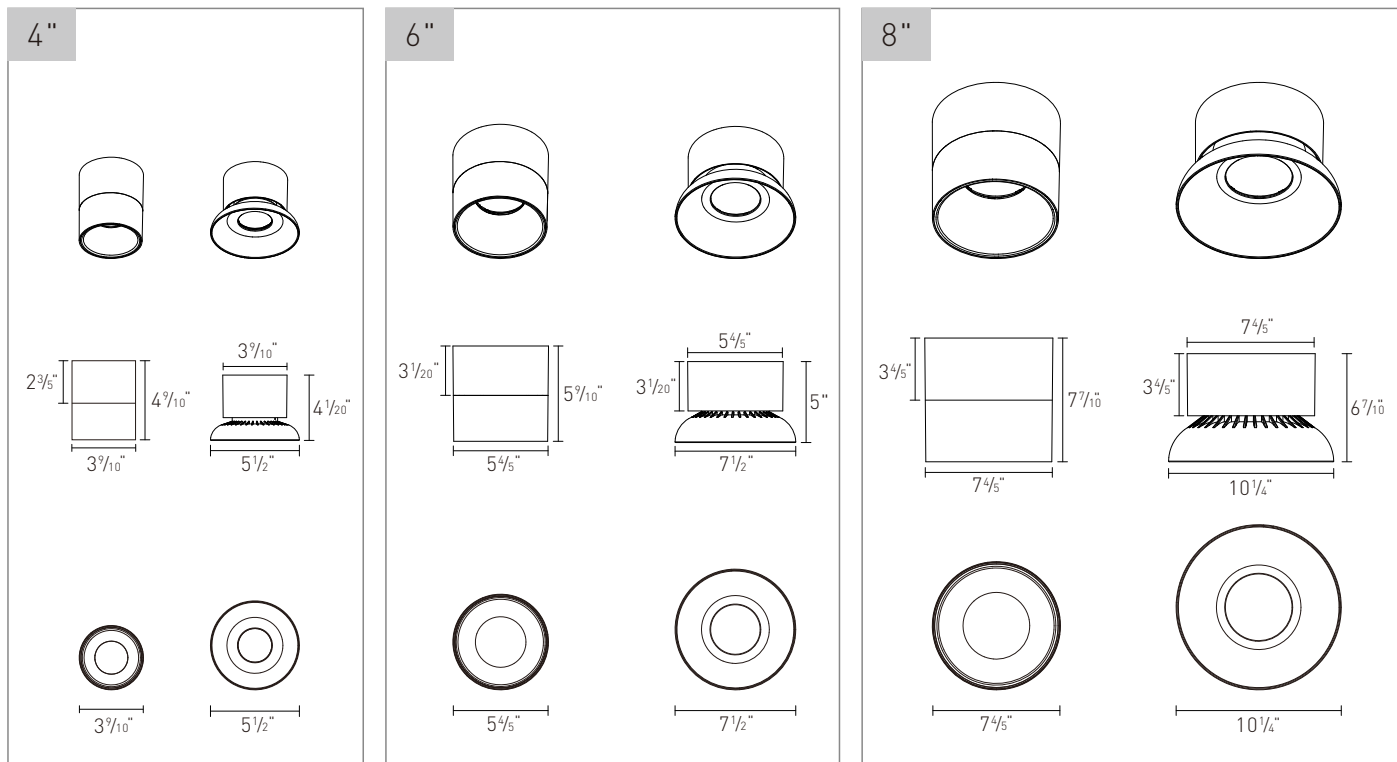
VividForms™

INDOOR

Type:

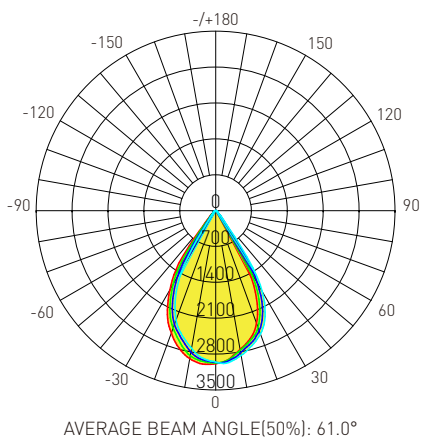
Fixture:

DIMENSIONS



DISTRIBUTION DIAGRAM

4" / 3000K / 60°



Test Number: BCL4R-WH10-30
 Lumens: 2612.6 Lm
 Watts: 25 W
 LPW: 103.94 Lm/W
 CCT: 3000K

UNIT: cd
 — C0/180, 61.0°
 — C30/210, 61.1°
 — C60/240, 61.1°
 — C90/270, 60.7°

Zonal Flux Diagram

τ	C0	C45	C90	C135	C180
10	2751	2786	2868	2917	2931
20	2335	2466	2558	2593	2538
30	1094	1535	1818	1905	1800
40	155.1	194.4	245.3	438.2	400.3
50	62.68	63.03	65.58	79.00	102.6
60	44.26	44.48	45.54	54.19	62.64
70	23.80	23.01	22.92	28.39	34.03
80	2.913	5.007	6.675	7.312	11.58
90	0.1544	0.1118	0.3414	0.4778	0.2661
100	0.0980	0.1167	0.1027	0.1260	0.1499
110	0.1725	0.2939	0.8678	0.2707	0.6863
120	0.3081	0.3082	0.3596	0.3502	0.7190
130	0.8022	0.6450	0.4290	0.4484	0.8034
140	2.066	1.785	1.408	1.243	1.589
150	3.714	3.274	2.851	2.718	3.120
160	5.316	4.917	4.461	4.184	4.698
170	6.381	6.205	6.044	5.930	6.233
180	6.788	6.806	6.652	6.657	6.797
DEG	LUMINOUS INTENSITY:cd				

Zonal Lumens

τ	φ total
0-10	275.7
10-20	1016
20-30	1941
30-40	2403
40-50	2499
50-60	2552
60-70	2587
70-80	2603
80-90	2605
90-100	2605
100-110	2605
110-120	2606
120-130	2606
130-140	2607
140-150	2609
150-160	2610
160-170	2612
170-180	2613
UNIT: lm	

Luminance cd/(m2)

G[DEG]	C0/180	C90/270
85	2079	6732
80	2892	6628
75	8458	9206
70	11997	11556
65	13945	13764
60	15263	15703
55	16203	17152
50	16813	17592
45	17695	27503

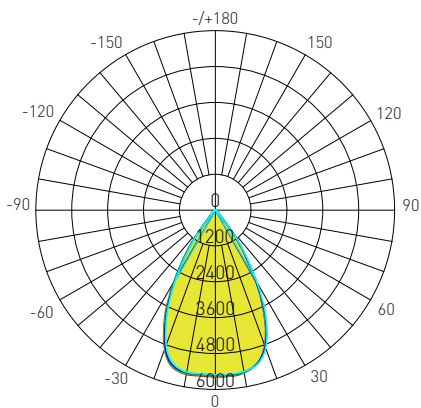
Architectural Cylinder Luminaire

Type:

Fixture:

DISTRIBUTION DIAGRAM

6" / 3000K / 60°



AVERAGE BEAM ANGLE[50%]: 59.6°

Test Number: BCL6R-WH10-30

Lumens: 5046.4

Lm Watts: 45 W

LPW: 111.38 Lm/W

CCT: 3000K

UNIT: cd

C0/180, 59.5°

C30/210, 59.5°

C60/240, 59.6°

C90/270, 59.6°

Zonal Flux Diagram

τ	C0	C45	C90	C135	C180
10	5529	5511	5486	5486	5576
20	4834	4887	4923	4940	4963
30	2643	2758	2803	2894	2818
40	433.5	487.4	508.0	551.8	472.2
50	100.6	104.4	102.4	105.5	99.85
60	72.33	72.16	70.84	70.56	71.23
70	44.46	45.15	44.15	44.05	43.76
80	18.19	18.90	17.92	18.39	18.56
90	0.1782	0.1447	0.1496	0.1447	0.1447
100	0.1727	0.1868	0.1494	0.1821	0.1729
110	0.2565	0.2615	0.2147	0.2568	0.2569
120	0.3688	0.3923	0.3823	0.3596	0.3737
130	1.082	1.047	0.9929	0.9770	1.080
140	3.232	3.112	3.031	2.920	3.318
150	6.392	6.202	6.089	5.889	6.530
160	9.529	9.302	9.245	9.017	9.601
170	12.21	12.07	11.91	11.77	12.11
180	13.29	13.37	13.15	13.16	13.31
DEG	LUMINOUS INTENSITY:cd				

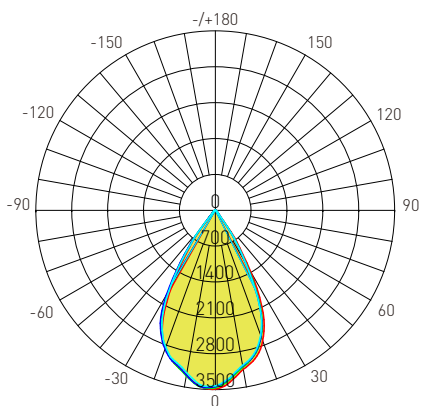
Zonal Lumens

τ	φ total
0-10	526.3
10-20	2017
20-30	3780
30-40	4714
40-50	4863
50-60	4936
60-70	4993
70-80	5025
80-90	5033
90-100	5033
100-110	5033
110-120	5033
120-130	5034
130-140	5036
140-150	5039
150-160	5042
160-170	5045
170-180	5046
	UNIT: lm

Luminance cd/(m2)

G(DEG)	C0/180	C90/270
85	5141	5059
80	6800	6703
75	7678	7640
70	8441	8382
65	9032	8906
60	9393	9200
55	9336	9072
50	10163	10349
45	14737	15549

8" / 3000K / 60°



AVERAGE BEAM ANGLE[50%]: 57.7°

Test Number: BCL4R-WH10-30

Lumens: 6000.6 Lm

Watts: 60 W

LPW: 95.85 Lm/W

CCT: 3000K

UNIT: cd

C0/180, 57.5°

C30/210, 57.8°

C60/240, 58.0°

C90/270, 57.5°

Zonal Flux Diagram

τ	C0	C45	C90	C135	C180
10	6752	6641	6582	6635	6997
20	5798	5610	5550	5774	6119
30	2943	2631	2544	3088	3598
40	323.2	281.4	268.1	369.4	569.4
50	101.4	92.02	90.41	103.3	137.4
60	66.11	63.45	62.41	64.37	68.46
70	40.56	38.05	37.37	39.94	43.13
80	16.48	14.58	14.33	16.84	19.29
90	0.1635	0.1495	0.1728	0.1494	0.6340
100	0.1633	0.2008	0.1867	0.1961	0.1821
110	0.2426	0.2895	0.2613	0.2755	0.2615
120	0.4150	0.4624	0.4521	0.4110	0.3877
130	1.310	1.501	1.445	1.183	1.038
140	4.020	4.396	4.323	3.738	3.636
150	7.830	3.274	2.851	2.718	3.120
160	11.69	12.09	12.00	11.29	11.30
170	15.06	15.17	14.99	14.64	14.78
180	16.06	16.06	15.84	15.86	16.12
DEG	LUMINOUS INTENSITY:cd				

Zonal Lumens

τ	φ total
0-10	670.6
10-20	2462
20-30	4629
30-40	5655
40-50	5820
50-60	5892
60-70	5945
70-80	5976
80-90	5984
90-100	5985
100-110	5985
110-120	5985
120-130	5986
130-140	5988
140-150	5991
150-160	5995
160-170	5999
170-180	6001
	UNIT: lm

Luminance cd/(m2)

G(DEG)	C0/180	C90/270
85	2815	2099
80	3569	3101
75	4060	3666
70	4458	4108
65	4761	4451
60	4970	4692
55	5058	4836
50	5932	5288
45	9205	8235