

2.3" SURFACE LED

ARCHITECTURAL LED LUMINAIRE INDEPENDENT INSTALLATION

⚠️ RISK OF FIRE AND ELECTRICAL SHOCK. FIXTURE MUST BE INSTALLED BY A QUALIFIED ELECTRICIAN ONLY IN ACCORDANCE WITH NATIONAL, LOCAL BUILDING AND ELECTRICAL CODES. DISCONNECT POWER AT ELECTRICAL PANEL BEFORE SERVICING.

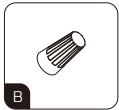
IMPORTANT

1. Read all instructions.
2. Install in accordance with national and local electrical code regulations.
3. This product is intended to be installed and serviced by a qualified, licensed electrician.
4. Do not install in wet locations. For dry and damp use only.
5. Turn off electrical power before installing or servicing fixture in any way.
6. To reduce the risk of fire and overheating, make sure all connections are tight.
7. Under no circumstances can the lighting fixture be covered with heat insulation gasket or similar materials.
8. The maximum connection of each input line is 40FT(1200CM) in 120AC, 80FT(2400CM) in 230AC, 100FT(3000CM) in 277AC.

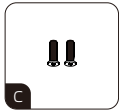
ACCESSORY



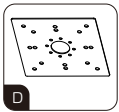
A Butterfly Drywall Anchor



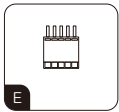
B Wire Nut



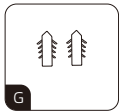
C Screw



D Square plate
(Optional accessory)
Noted: Square plate Compatible for 4" octagon, 4" round, 4" square and 2x4" rectangle junction boxes.



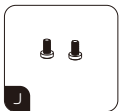
E Male quick connector
(5 holes)



G Anchor

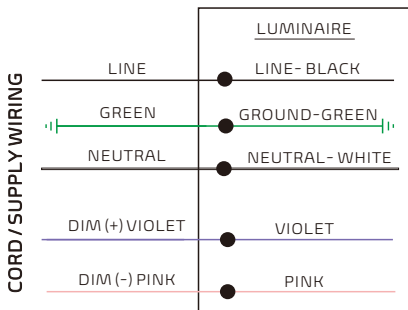


I Screw



J Screw

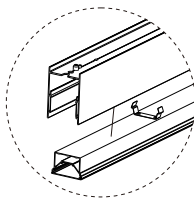
WIRING



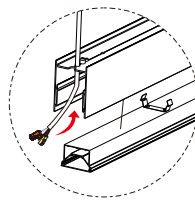
⚠️ Please isolate two dimming wires by P2 terminal individually if no need dimming; **MUST connect wires with corresponding colors as shown.**

PRE-INSTALLATION

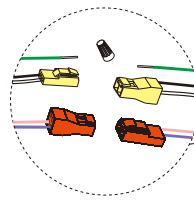
Assemble Power Cord



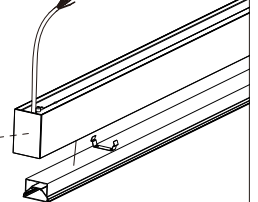
1. Take off the end cap and LED modular.



2. Thread the power cord out of the housing as shown.



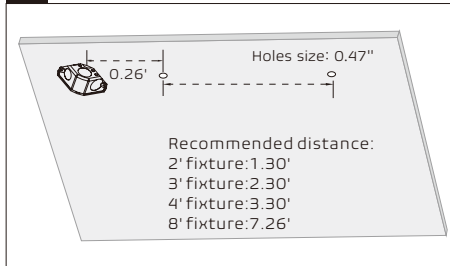
3. Wiring
Must connect connectors with corresponding colors as shown.



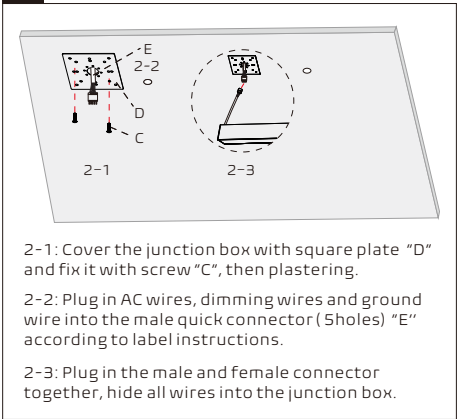
4. Remount end cap into housing.

INDEPENDENT INSTALLATION

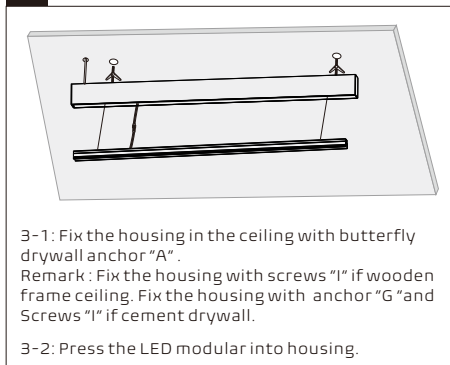
1 Prepare mounting point in the ceiling



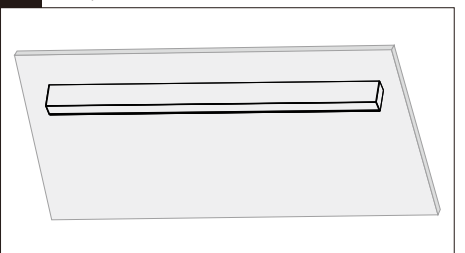
2 Mount plate and wiring



3 Screw the housing in the ceiling



4 Complete

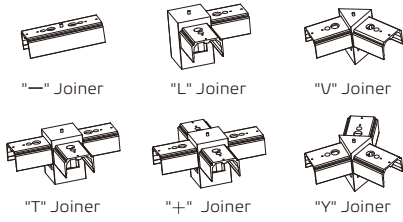


2.3" SURFACE LED

ARCHITECTURAL LED LUMINAIRE MULTIPLE LUMINAIRES CONNECTION

⚠ RISK OF FIRE AND ELECTRICAL SHOCK. FIXTURE MUST BE INSTALLED BY A QUALIFIED ELECTRICIAN ONLY IN ACCORDANCE WITH NATIONAL, LOCAL BUILDING AND ELECTRICAL CODES. DISCONNECT POWER AT ELECTRICAL PANEL BEFORE SERVICING.

JOINER OPTIONS



Noted: It needs 2 inputs if using joiner "T", "+ " and "Y".

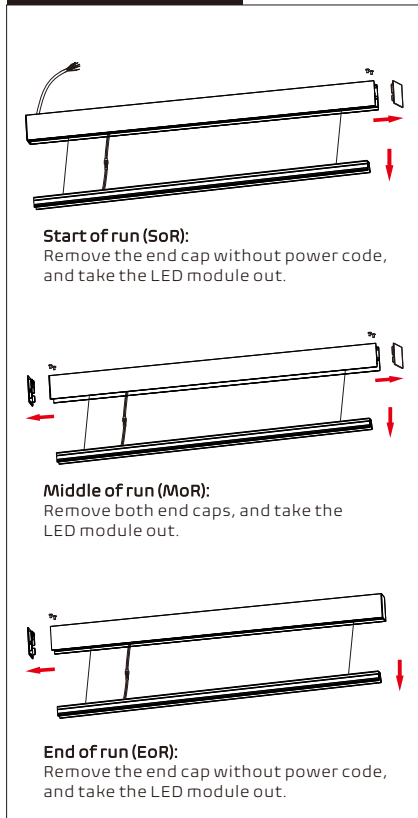
ACCESSORY



Noted: Silicone Seal is used to seal seams that may appear at both ends of luminaires when multiple connections.

BEFORE CONNECTING

Disassemble Luminaires

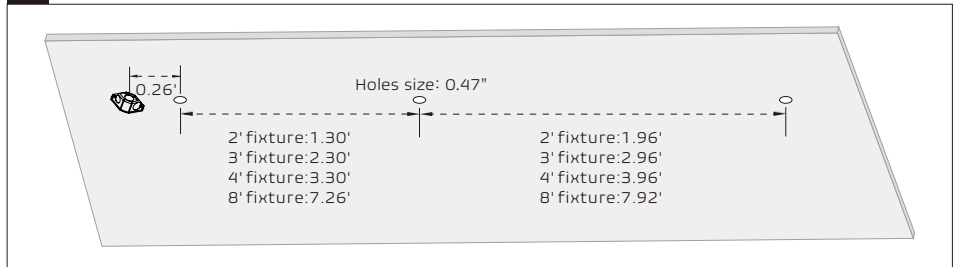


LINE CONNECTION

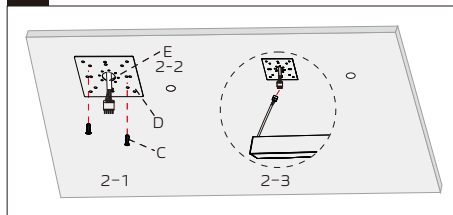
Mounting Points:
1.96' for 2FT fixture
2.96' for 3FT fixture
3.96' for 4FT fixture
7.92' for 8FT fixture

2' fixture : 1.97'
4' fixture : 3.94'
8' fixture : 7.88'

1 Prepare mounting point in the ceiling



2 Mount plate and wiring

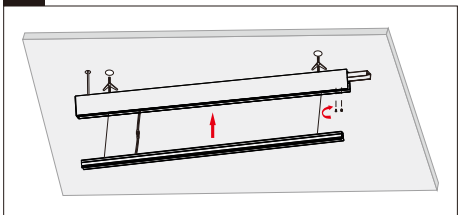


2-1: Cover the junction box with square plate "D" and fix it with screw "C", then plastering.

2-2: Plug in AC wires, dimming wires and ground wire into the male quick connector (5holes) "E" according to label instructions.

2-3: Plug in the male and female connector together, hide all wires into the junction box.

3 Install the housing and joiner – SoR

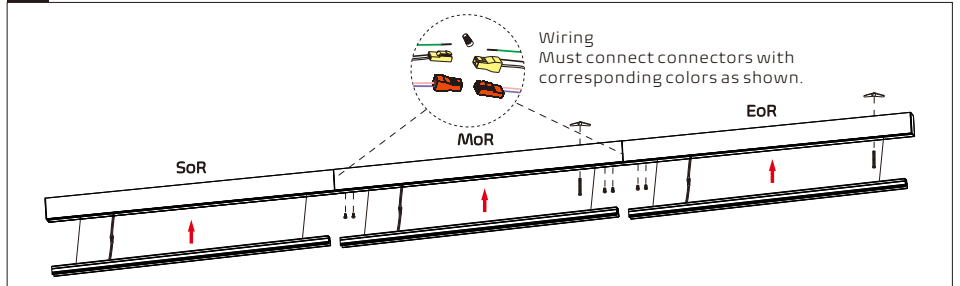


3-1: Fix the housing in the ceiling with butterfly drywall anchor "A".

Remark: Fix the housing with screws "I" if wooden frame ceiling. Fix the housing with Anchor "G" and Screws "I" if cement drywall.

3-2: Insert the joiner "—" into the SoR housing and fix it by screws.

4 Repeat install and join steps-MoR to EoR



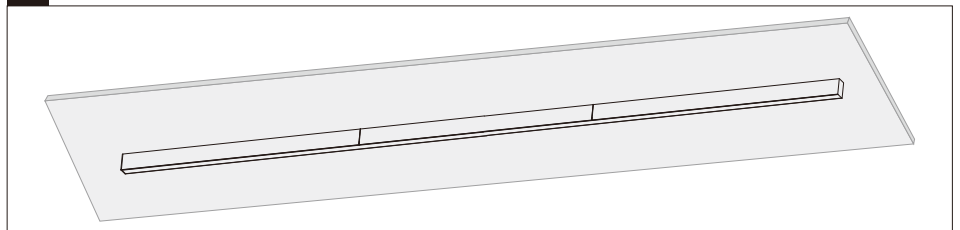
4-1: Fix the housing in the ceiling in turn.

4-2: Insert the joiner "—" into the housing and fix it by screws in turn.

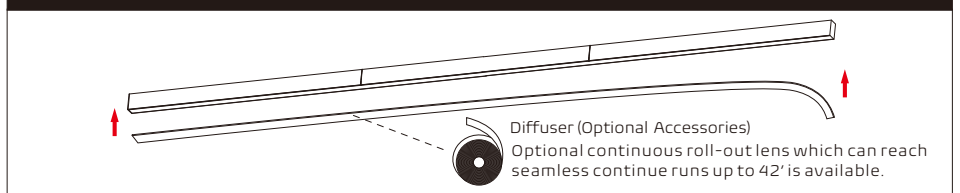
4-3: Connect the quick connectors properly.

4-4: Insert all the led modules into the housing from SoR to EoR in turn.

5 Complete



Optional 42' Diffuser Lens Roll

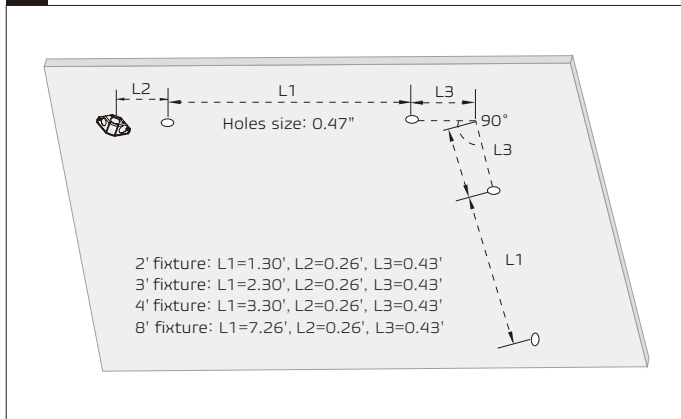


⚠ RISK OF FIRE AND ELECTRICAL SHOCK. FIXTURE MUST BE INSTALLED BY A QUALIFIED ELECTRICIAN ONLY IN ACCORDANCE WITH NATIONAL, LOCAL BUILDING AND ELECTRICAL CODES. DISCONNECT POWER AT ELECTRICAL PANEL BEFORE SERVICING.

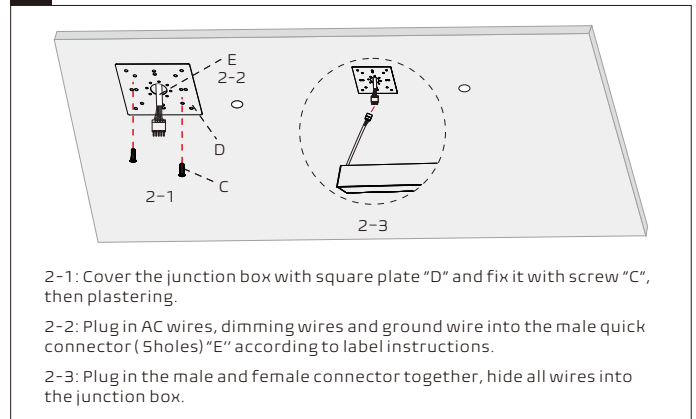
L SHAPE CONNECTION

- ▲ For "T", "+", "Y" shape or other geometric shapes, all subject to the "L" shape installation
- ▲ It needs 2 inputs if using joiner "T", "+" and "Y".

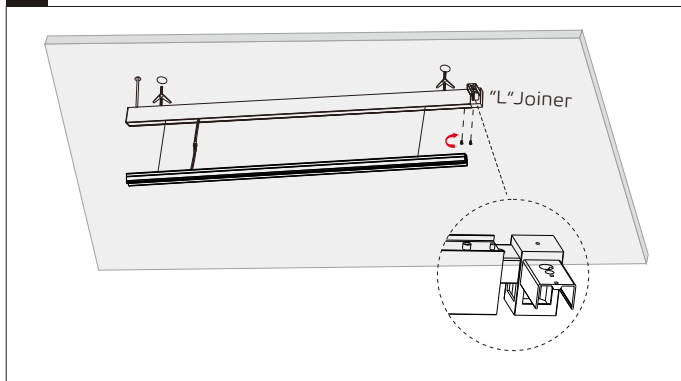
1 Make hole in the ceiling



2 Mount plate and wiring

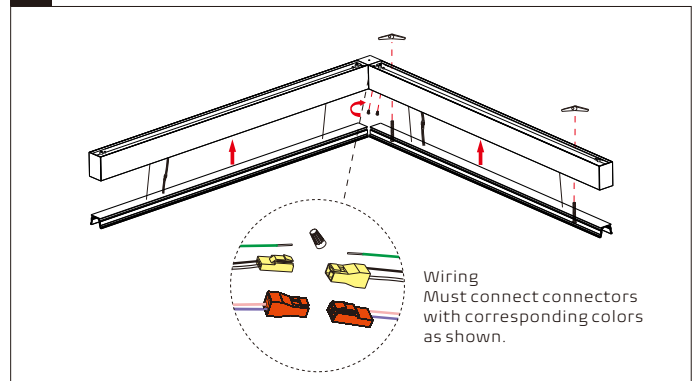


3 Install the housing and joiner – SoR



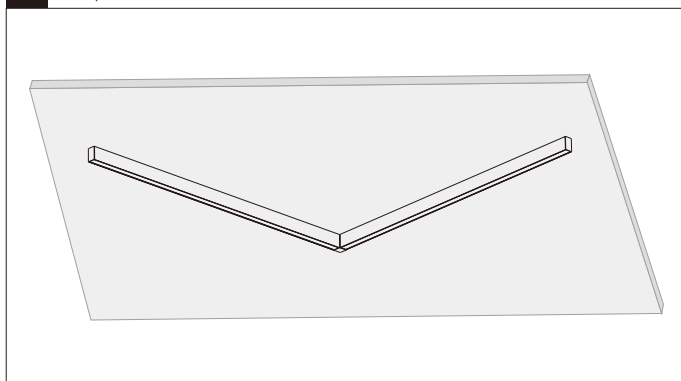
- 3-1: Fix the housing in the ceiling with butterfly drywall anchor "A"
 Remark: Fix the housing with screws "I" if wooden frame ceiling.
 Fix the housing with Anchor "G" and Screws "I" if cement drywall.
- 3-2: Insert the joiner "L" into the SoR housing and fix it by screws.

4



- 4-1: Fix the housing in the ceiling in turn.
 4-2: Insert the joiner "L" into the housing and fix it by screws in turn.
 4-3: Connect the quick connectors properly.
 4-4: Insert all the LED modules into the housing from SoR to EoR in turn.

5 Complete

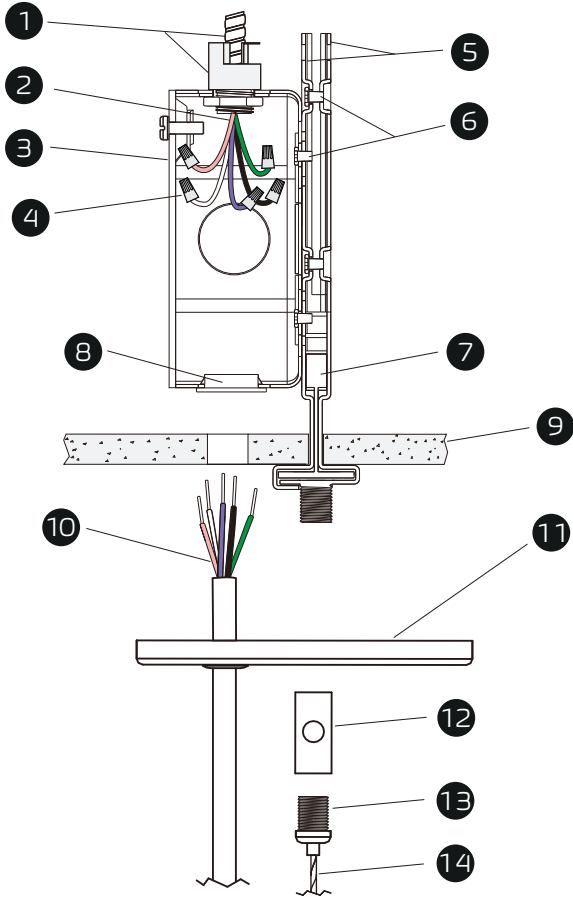


2.3" PENDANT LED

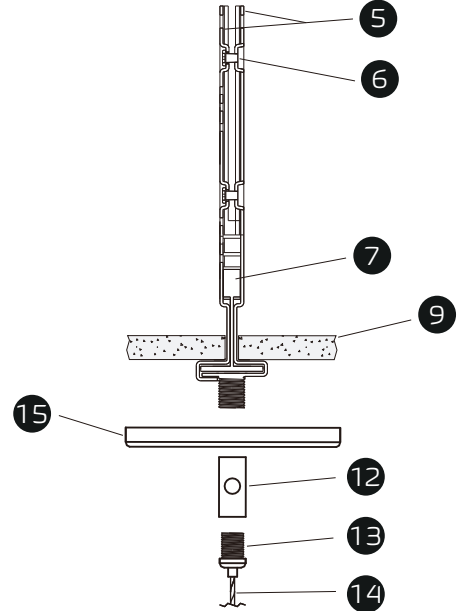
ARCHITECTURAL LED LUMINAIRE DROP CEILING

⚠ RISK OF FIRE AND ELECTRICAL SHOCK. FIXTURE MUST BE INSTALLED BY A QUALIFIED ELECTRICIAN ONLY IN ACCORDANCE WITH NATIONAL, LOCAL BUILDING AND ELECTRICAL CODES. DISCONNECT POWER AT ELECTRICAL PANEL BEFORE SERVICING.

▶ POWER FEED

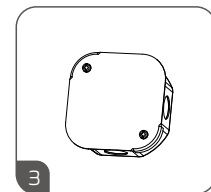


▶ NON POWER SUSPENSION

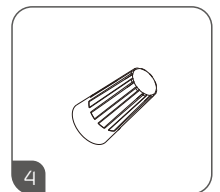


▶ PARTS LIST

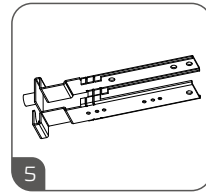
- 1 Armored Cable & Connector (By Others)
- 2 Power Cord (By Others)
- 3 4" Octagon Junction Box
- 4 Wire Nut
- 5 Assembled T-grid Clips
- 6 Screw 6#*4
- 7 T-grid (By Others)
- 8 Plastic Grommet
- 9 Ceiling Tile (By Others)
- 10 Power Cord
- 11 4" Canopy Power Feed
- 12 Cable Holder
- 13 Strain Relief Thread Nut
- 14 Aircraft Cable
- 15 2" Canopy



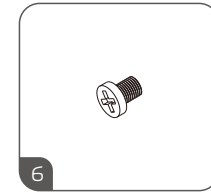
4" Octagon Junction Box



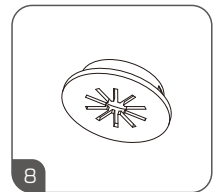
Wire Nut



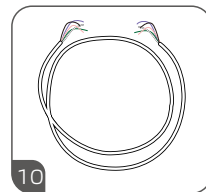
Assembled T-grid Clips



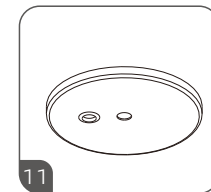
Screw 6#*4



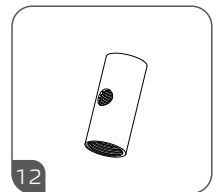
Plastic Grommet



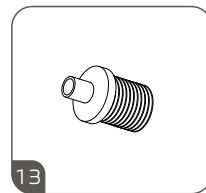
Power Cord



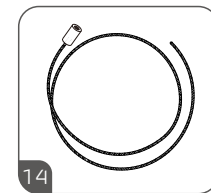
4" Canopy Power Feed



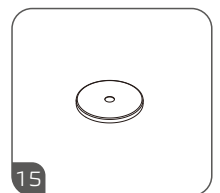
Cable Holder



Strain Relief Thread Nut



Aircraft Cable



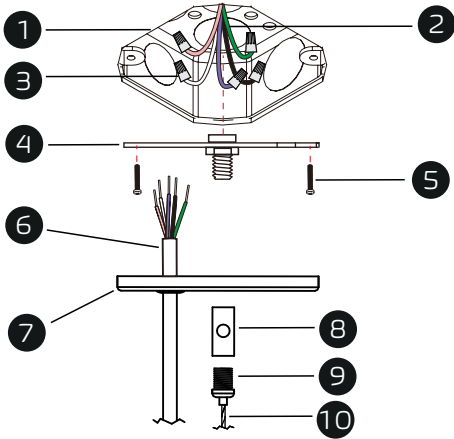
2" Canopy

2.3" PENDANT LED

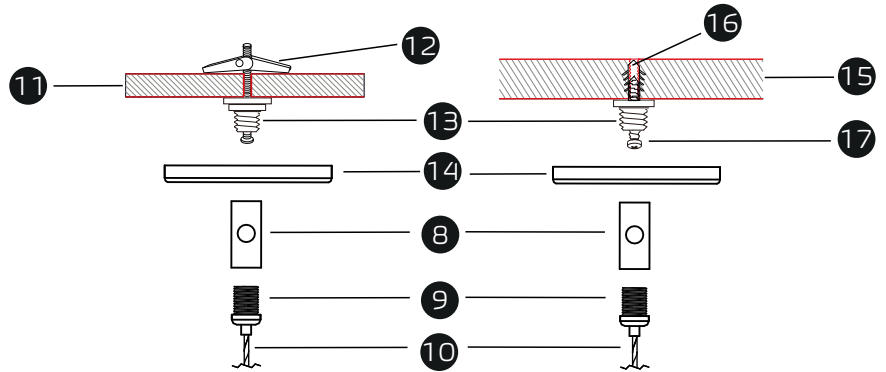
ARCHITECTURAL LED LUMINAIRE DRY CEILING

! RISK OF FIRE AND ELECTRICAL SHOCK. FIXTURE MUST BE INSTALLED BY A QUALIFIED ELECTRICIAN ONLY IN ACCORDANCE WITH NATIONAL, LOCAL BUILDING AND ELECTRICAL CODES. DISCONNECT POWER AT ELECTRICAL PANEL BEFORE SERVICING.

POWER FEED

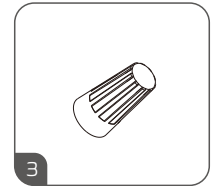


NON POWER SUSPENSION

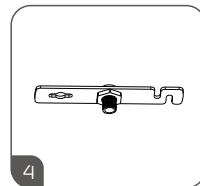


PARTS LIST

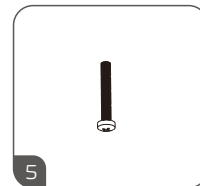
- 1 4" Octagon Junction Box (By Others)
- 2 Power Cord (By Others)
- 3 Wire Nut
- 4 Junction Box Crossbar
- 5 Screw PM4*22
- 6 Power Cord
- 7 4" Power Canopy Kit
- 8 Cable Holder
- 9 Strain Relief Thread Nut
- 10 Aircraft Cable
- 11 Drywall Ceiling (By Others)
- 12 Butterfly Drywall Anchor
- 13 Crimp Stud
- 14 2" Canopy
- 15 Solid Ceiling (By Others)
- 16 Anchor
- 17 Screw PA4*30



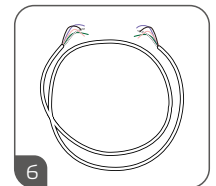
Wire Nut



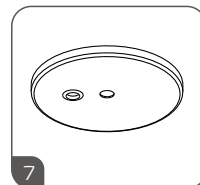
Junction Box Crossbar



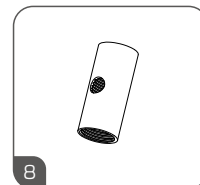
Screw PM4*22



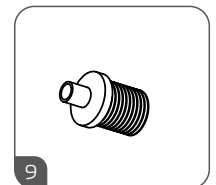
Power Cord



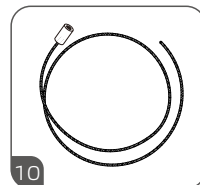
4" Canopy Power Feed



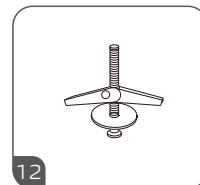
Cable Holder



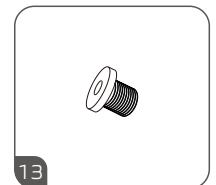
Strain Relief Thread Nut



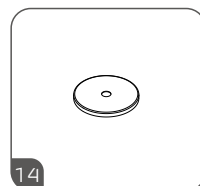
Aircraft Cable



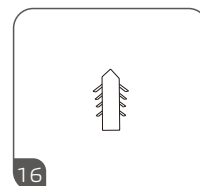
Butterfly Drywall Anchor



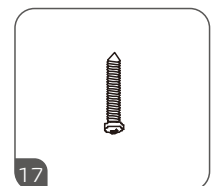
Crimp Stud



2" Canopy



Anchor



Screw PA4*30

2.3" PENDANT LED

ARCHITECTURAL LED LUMINAIRE INDEPENDENT INSTALLATION

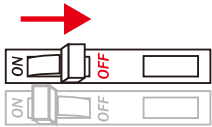
⚠ RISK OF FIRE AND ELECTRICAL SHOCK. FIXTURE MUST BE INSTALLED BY A QUALIFIED ELECTRICIAN ONLY IN ACCORDANCE WITH NATIONAL, LOCAL BUILDING AND ELECTRICAL CODES. DISCONNECT POWER AT ELECTRICAL PANEL BEFORE SERVICING.

IMPORTANT

1. Read all instructions.
2. Install in accordance with national and local electrical code regulations.
3. This product is intended to be installed and serviced by a qualified, licensed electrician.
4. Do not install in wet locations. For dry and damp use only.
5. Turn off electrical power before installing or servicing fixture in any way.
6. To reduce the risk of fire and overheating, make sure all connections are tight.
7. Under no circumstances can the lighting fixture be covered with heat insulation gasket or similar materials.
8. The maximum connection of each input line is 40FT(1200CM) in 120AC, 80FT (2400CM) in 230AC, 100FT(3000CM) in 277AC.

SHOCK HAZARD

⚡ May result in serious injury or death. Turn power OFF at circuit breaker prior to installation or servicing.



PRE-INSTALLATION

Assemble Power Cord

1. Take off the end cap, insert the cord holder into the power code location as shown.
2. Take off LED modular, thread the power code into the cord holder as shown.
3. Wiring Must connect connectors with corresponding colors as shown.
4. Fix the power code with holder nut, remount LED modular and end cap.

INDEPENDENT INSTALLATION

1 Hang Luminaire

Mounting Points:
 1.92' for 2FT fixture
 2.92' for 3FT fixture
 3.92' for 4FT fixture
 7.88' for 8FT fixture

Screw both bottom parts of aircraft cables clockwise and secure then on the top of housing making sure they hang the lights.

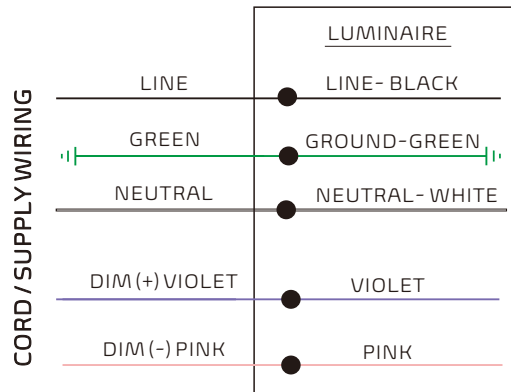
2 Complete

Cable Tie

Use the cable tie to keep the electric wire going up along with the wire rope.

Note: Adjust the height of luminaire. Luminaire can be raised by pulling cable through the gripper and can be lowered by depressing the top cylinder on the gripper which pulls the luminaire down.

WIRING



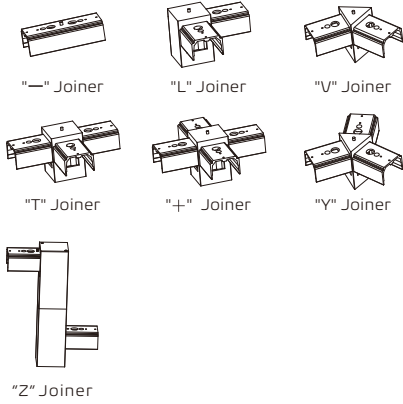
Please isolate two dimming wires by P2 terminal individually if no need dimming; **MUST connect wires with corresponding colors as shown.**

2.3" PENDANT LED

ARCHITECTURAL LED LUMINAIRE MULTIPLE LUMINAIRES CONNECTION

⚠ RISK OF FIRE AND ELECTRICAL SHOCK. FIXTURE MUST BE INSTALLED BY A QUALIFIED ELECTRICIAN ONLY IN ACCORDANCE WITH NATIONAL, LOCAL BUILDING AND ELECTRICAL CODES. DISCONNECT POWER AT ELECTRICAL PANEL BEFORE SERVICING.

JOINER OPTIONS



Note: It needs 2 inputs if using joiner "T", "+" and "Y".

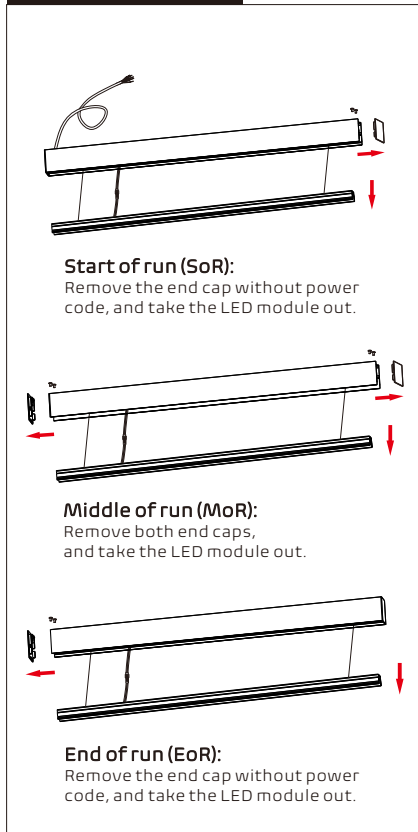
ACCESSORY



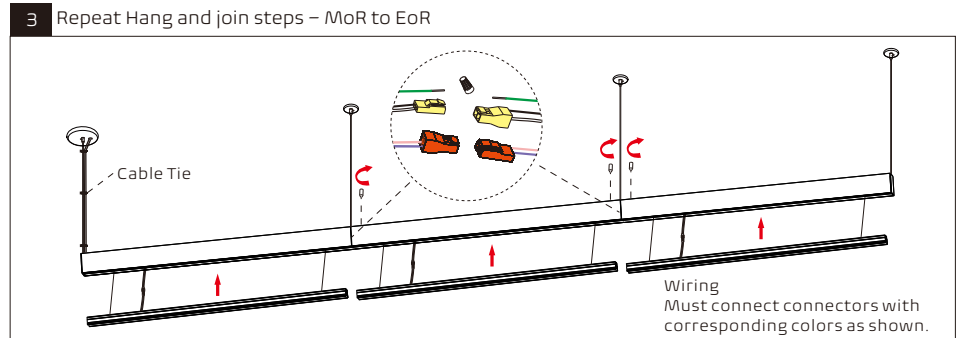
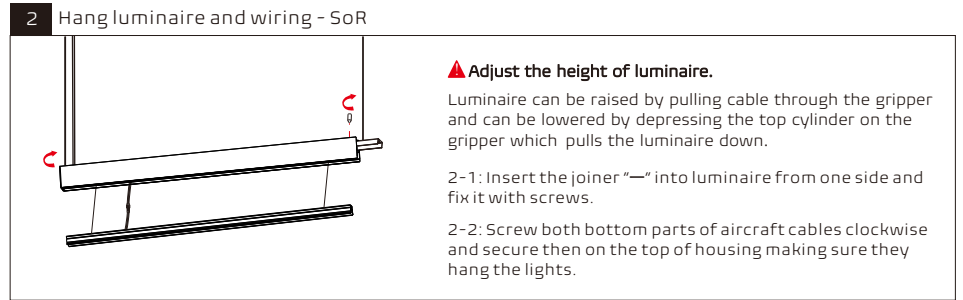
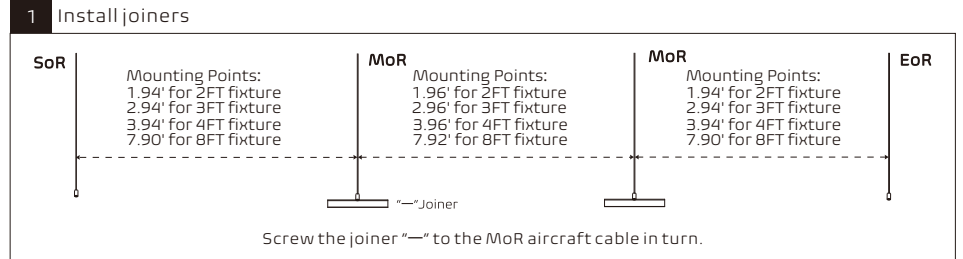
Note: Silicone seal is used to seal seams that may appear at both ends of luminaires when multiple connections.

BEFORE CONNECTING

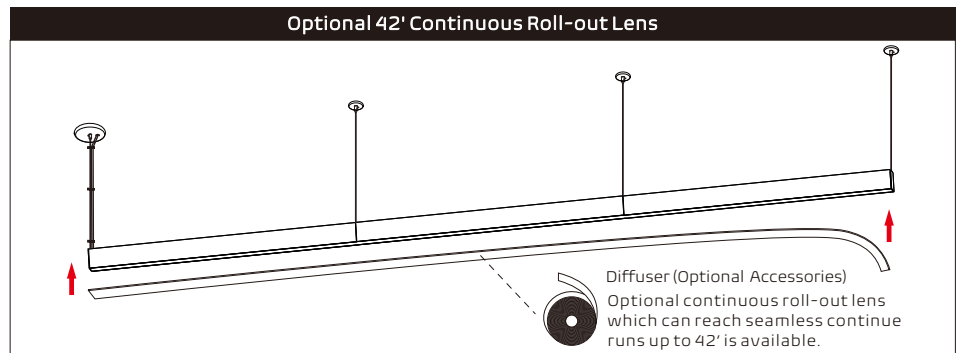
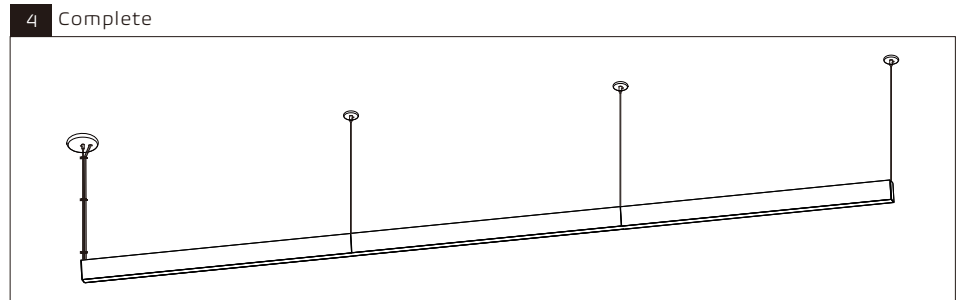
Disassemble Luminaires



LINE CONNECTION



3-1: Zip tight power cord & aircraft suspension cable with the cable tie.
 3-2: Connect the quick connectors properly.
 3-3: Insert all the LED Modules into the housing from SoR to EoR in turn.



2.3" PENDANT LED

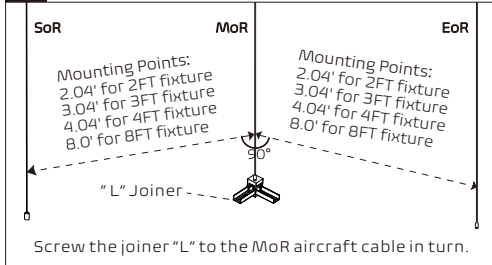
ARCHITECTURAL LED LUMINAIRE MULTIPLE LUMINAIRES CONNECTION

⚠ RISK OF FIRE AND ELECTRICAL SHOCK. FIXTURE MUST BE INSTALLED BY A QUALIFIED ELECTRICIAN ONLY IN ACCORDANCE WITH NATIONAL, LOCAL BUILDING AND ELECTRICAL CODES. DISCONNECT POWER AT ELECTRICAL PANEL BEFORE SERVICING.

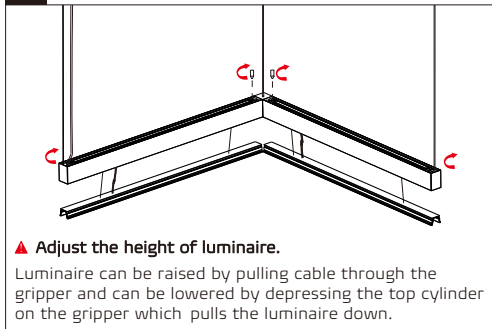
L SHAPE CONNECTION

- ▲ For "T", "+", "Y" shape or other geometric shapes, all subject to the "L" shape installation
- ▲ It needs 2 inputs if using joiner "T", "+" and "Y".

1 Install joiners



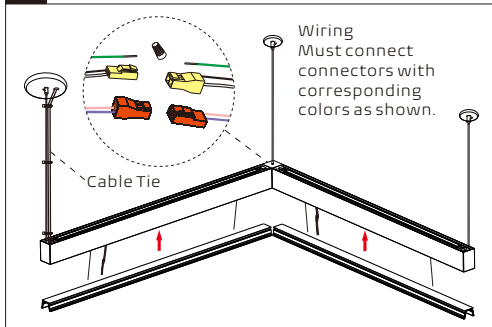
2 Hang luminaires and join



2-1: Insert the joiner "L" into luminaire from one side and fix it with screws.

2-2: Screw both bottom parts of aircraft cables clockwise and secure then on the top of housing making sure they hang the lights.

3 Connect

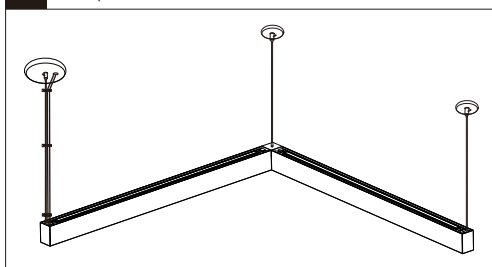


3-1: Zip tight power cord & aircraft suspension cable with the cable tie.

3-2: Connect the quick connectors properly.

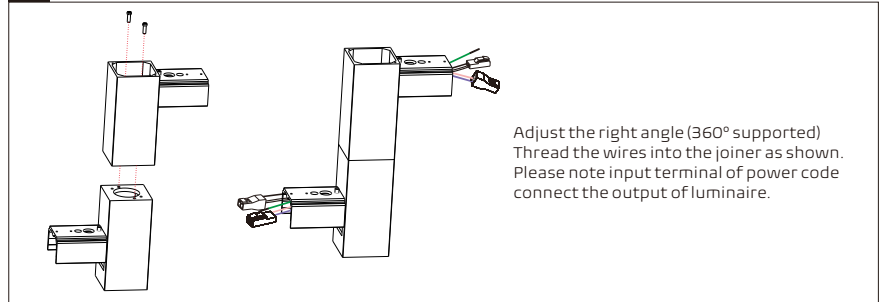
3-3: Insert all the LED Modules into the housing from SoR to EoR in turn.

4 Complete

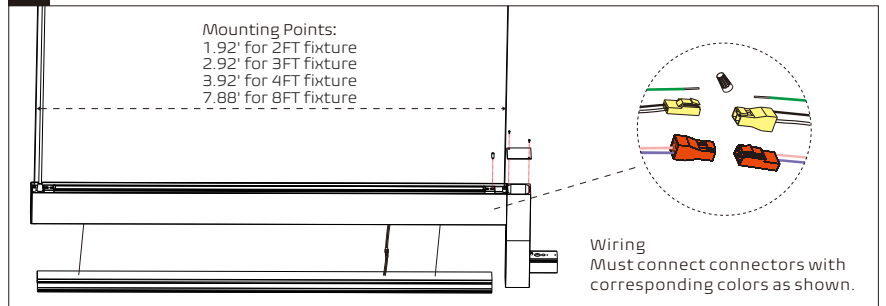


Z SHAPE CONNECTION

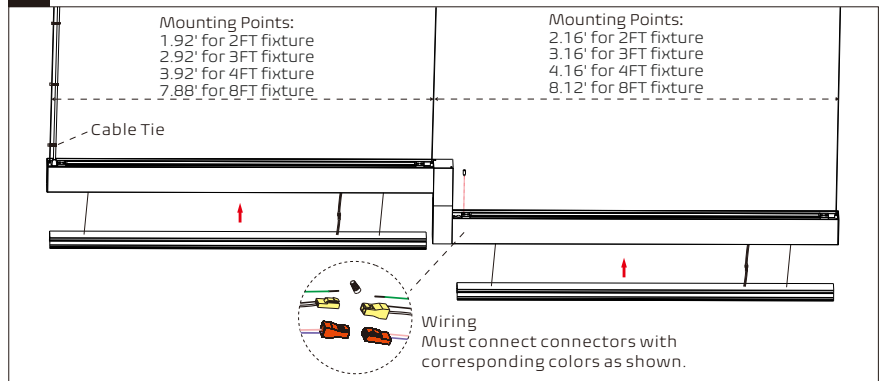
1 Connect the Z joiner



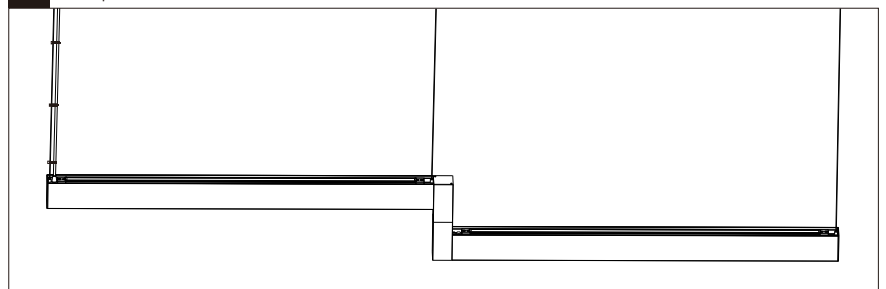
2 Hang luminaire and wiring - SoR



3 Repeat Hang and join steps - MoR to EoR



4 Complete



! RISK OF FIRE AND ELECTRICAL SHOCK. FIXTURE MUST BE INSTALLED BY A QUALIFIED ELECTRICIAN ONLY IN ACCORDANCE WITH NATIONAL, LOCAL BUILDING AND ELECTRICAL CODES. DISCONNECT POWER AT ELECTRICAL PANEL BEFORE SERVICING.

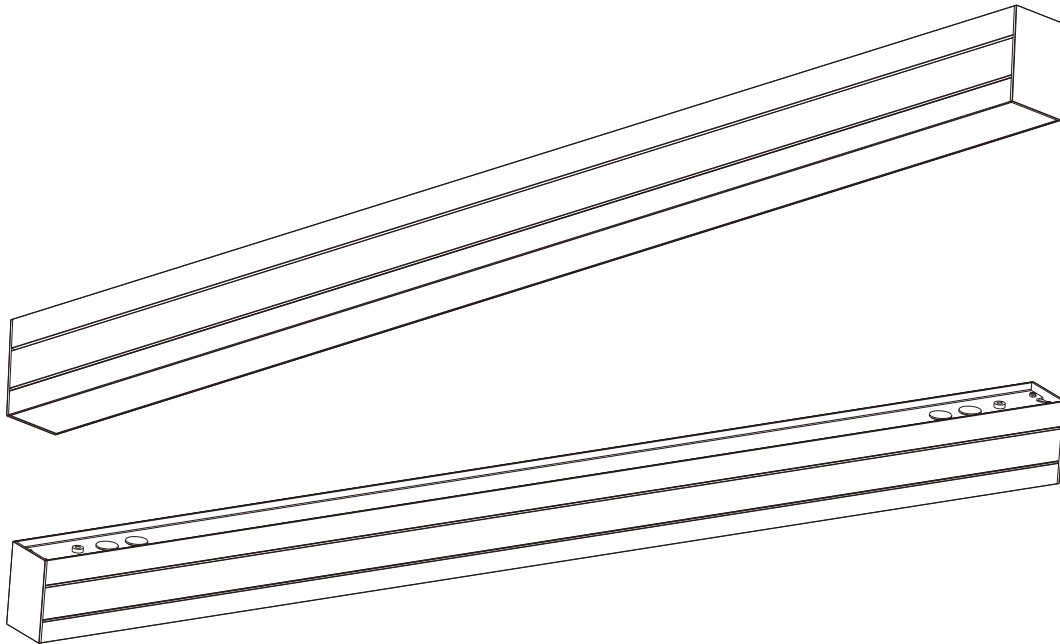


Table Of Contents

Dry Ceiling 02

INDIVIDUAL INSTALLATION 03

MULTIPLE LUMINAIRES CONNECTION 05

A. Line connection 05

B. L shape connection 08

Grid Ceiling 10

INDIVIDUAL INSTALLATION 11

MULTIPLE LUMINAIRES CONNECTION 12

A. Line connection 12

B. L shape connection 14

2.3" RECESSED LED

ARCHITECTURAL LED LUMINAIRE DRY CEILING

⚠️ RISK OF FIRE AND ELECTRICAL SHOCK. FIXTURE MUST BE INSTALLED BY A QUALIFIED ELECTRICIAN ONLY IN ACCORDANCE WITH NATIONAL, LOCAL BUILDING AND ELECTRICAL CODES. DISCONNECT POWER AT ELECTRICAL PANEL BEFORE SERVICING.

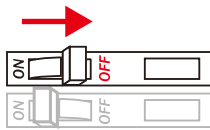
IMPORTANT

1. Read all instructions.
2. Install in accordance with national and local electrical code regulations.
3. This product is intended to be installed and serviced by a qualified, licensed electrician.
4. Do not install in wet locations. For dry and damp use only.
5. Turn off electrical power before installing or servicing fixture in any way.
6. To reduce the risk of fire and overheating, make sure all connections are tight.
7. Under no circumstances can the lighting fixture be covered with heat insulation gasket or similar materials.
8. The maximum connection of each input line is 40FT in 120AC, 100FT in 277AC.

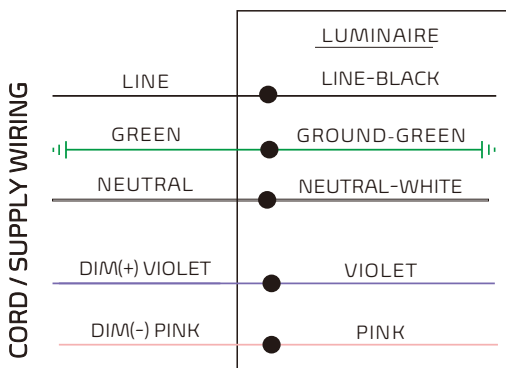
SHOCK HAZARD



May result in serious injury or death. Turn power OFF at circuit breaker prior to installation or servicing.



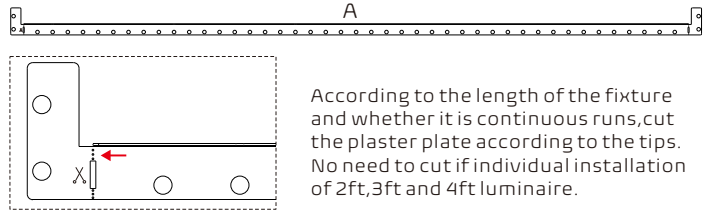
WIRING



Please isolate two dimming wires by P2 terminal individually if no need dimming; Must connect wires with corresponding colors as shown.

PARTS LISTS

MUD-IN DRYWALL



According to the length of the fixture and whether it is continuous runs, cut the plaster plate according to the tips. No need to cut if individual installation of 2ft, 3ft and 4ft luminaire.

B



Screws

Screws to fix the drywall flange kit to housing

C



Screws

Screws to fix the drywall flange kit to drywall

D



PC Diffuser

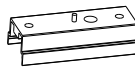
E



Silicone Seal

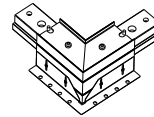
Note: Silicone seal is used to seal seams that may appear at both ends of luminaires when multiple connections.

F



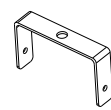
"L" Joiner

G



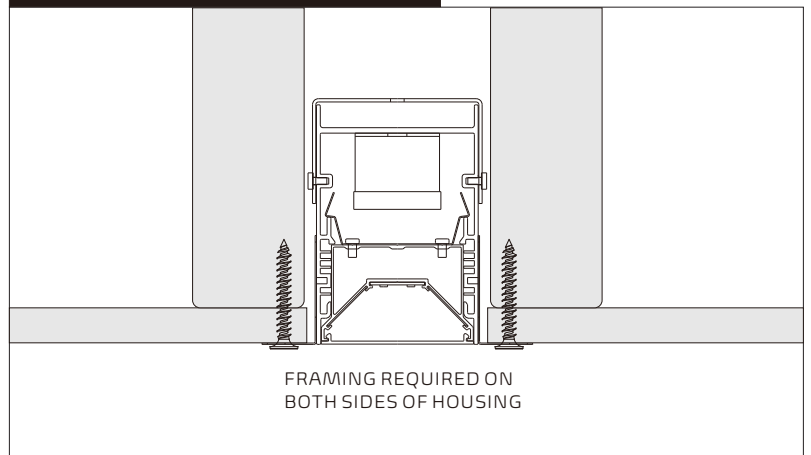
"L" Joiner

H



Safety Hanging Plate

Dry Ceiling Installation (Wall Installation)



FRAMING REQUIRED ON BOTH SIDES OF HOUSING

⚠ RISK OF FIRE AND ELECTRICAL SHOCK. FIXTURE MUST BE INSTALLED BY A QUALIFIED ELECTRICIAN ONLY IN ACCORDANCE WITH NATIONAL, LOCAL BUILDING AND ELECTRICAL CODES. DISCONNECT POWER AT ELECTRICAL PANEL BEFORE SERVICING.

INDIVIDUAL INSTALLATION

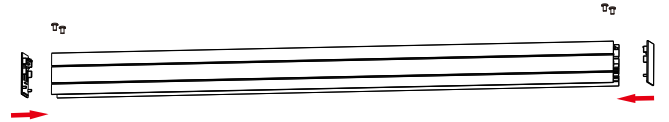
1 Drill a hole in the ceiling



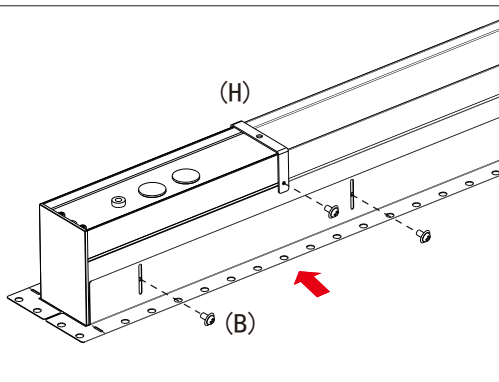
Drill a hole in the ceiling according to the following size:

- ① 2FT: L23.78" X W2.72"
- ② 3FT: L35.79" X W2.72"
- ③ 4FT: L47.80" X W2.72"
- ④ 8FT: L95.36" X W2.72"

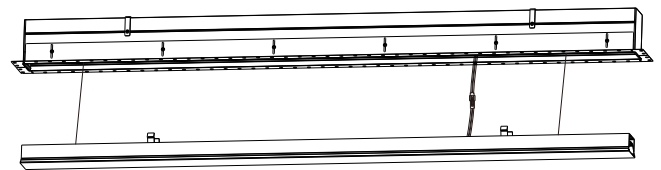
2 Install end caps as shown



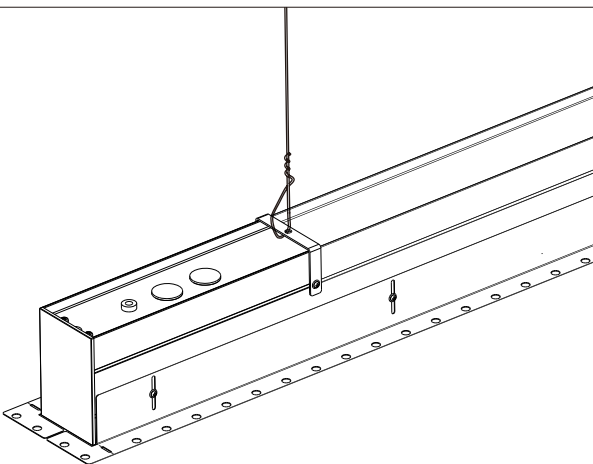
3 Install the drywall flange kit and safety hanging plate



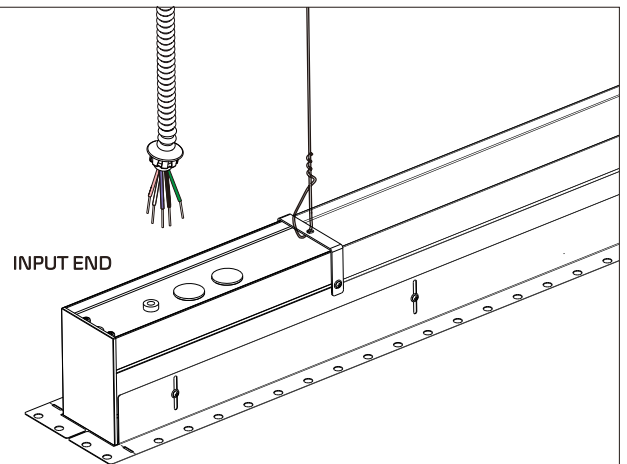
4 Secure the LED module with aircraft cable and connect the DC male and female terminals



5 Secure both ends of the luminaire with safety ropes



6 Wiring

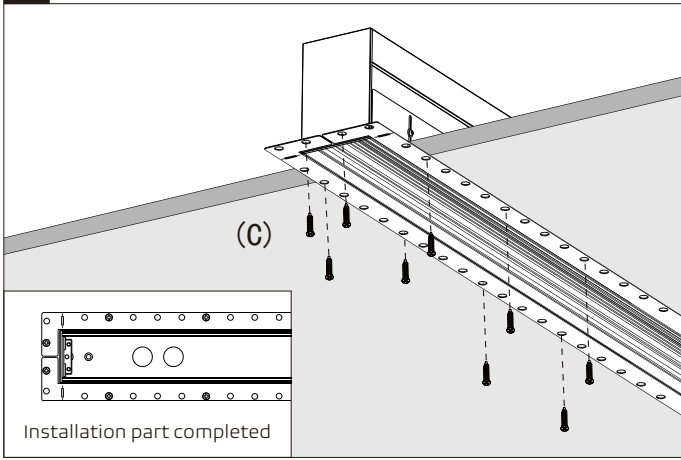


2.3" RECESSED LED

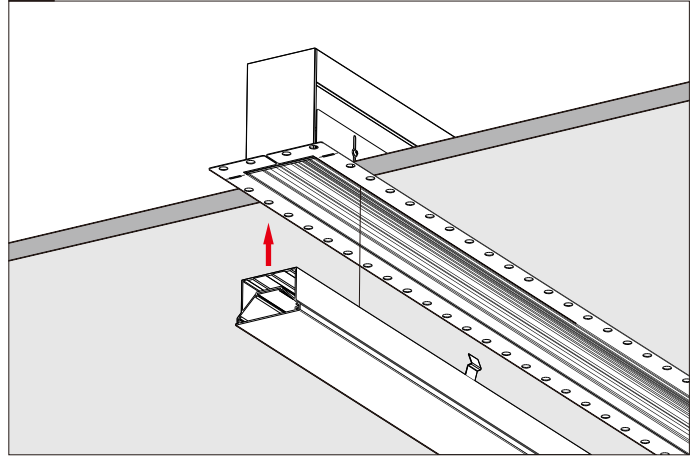
ARCHITECTURAL LED LUMINAIRE DRY CEILING - INDIVIDUAL INSTALLATION

⚠ RISK OF FIRE AND ELECTRICAL SHOCK. FIXTURE MUST BE INSTALLED BY A QUALIFIED ELECTRICIAN ONLY IN ACCORDANCE WITH NATIONAL, LOCAL BUILDING AND ELECTRICAL CODES. DISCONNECT POWER AT ELECTRICAL PANEL BEFORE SERVICING.

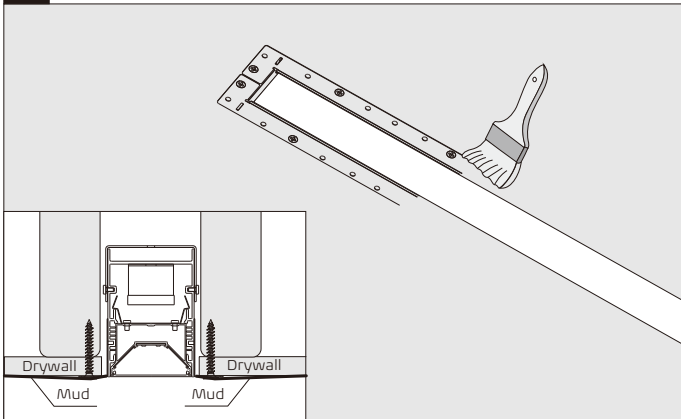
7 Secure the luminaire to the ceiling by screws



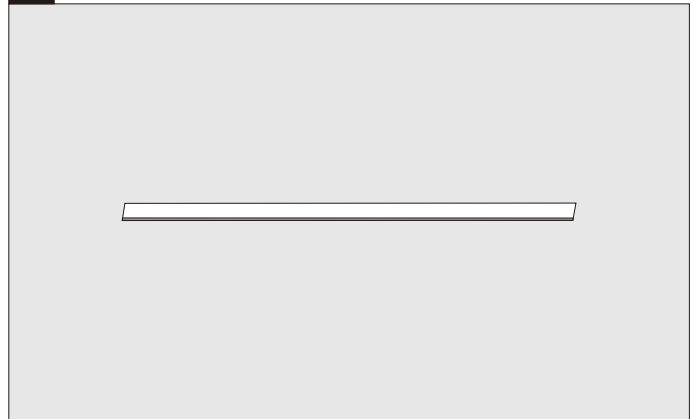
8 Plug the LED module into housing



9 Plaster and remove the film on the PC diffuser



10 Complete



⚠ RISK OF FIRE AND ELECTRICAL SHOCK. FIXTURE MUST BE INSTALLED BY A QUALIFIED ELECTRICIAN ONLY IN ACCORDANCE WITH NATIONAL, LOCAL BUILDING AND ELECTRICAL CODES. DISCONNECT POWER AT ELECTRICAL PANEL BEFORE SERVICING.

MULTIPLE LUMINAIRES CONNECTION - LINE CONNECTION

BEFORE CONNECTING

① Install end caps and line joiners

START OF RUN

Install end caps and Line joiners as shown

INPUT END



MIDDLE OF RUN

Install Line joiners as shown

INPUT END



END OF RUN

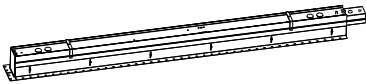
Install end caps as shown

INPUT END

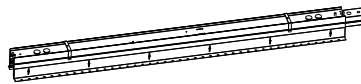


② Install drywall flange kit (A) and safety hanging plate (H) as shown

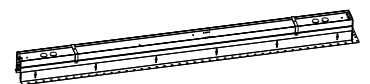
START OF RUN



MIDDLE OF RUN



END OF RUN

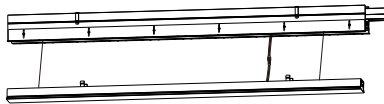


③ Secure the LED modules with aircraft cable and connect the DC male and female terminals

START OF RUN



MIDDLE OF RUN



END OF RUN



1 Drill a hole in the ceiling



Drill a hole in the ceiling according to the following size:

- ① 2FT: L23.78" X W2.72"
When continuous runs, each additional 2FT fixture, increase the length by 23.51".
- ② 3FT: L35.79" X W2.72"
When continuous runs, each additional 3FT fixture, increase the length by 35.51".
- ③ 4FT: L47.80" X W2.72"
When continuous runs, each additional 4FT fixture, increase the length by 47.52".
- ④ 8FT: L95.32" X W2.72"
When continuous runs, each additional 8FT fixture, increase the length by 95.04".

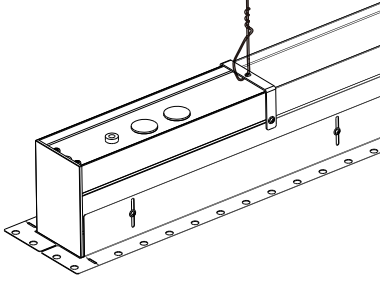
2.3" RECESSED LED

ARCHITECTURAL LED LUMINAIRE DRY CEILING - MULTIPLE LUMINAIRES CONNECTION - LINE CONNECTION

⚠ RISK OF FIRE AND ELECTRICAL SHOCK. FIXTURE MUST BE INSTALLED BY A QUALIFIED ELECTRICIAN ONLY IN ACCORDANCE WITH NATIONAL, LOCAL BUILDING AND ELECTRICAL CODES. DISCONNECT POWER AT ELECTRICAL PANEL BEFORE SERVICING.

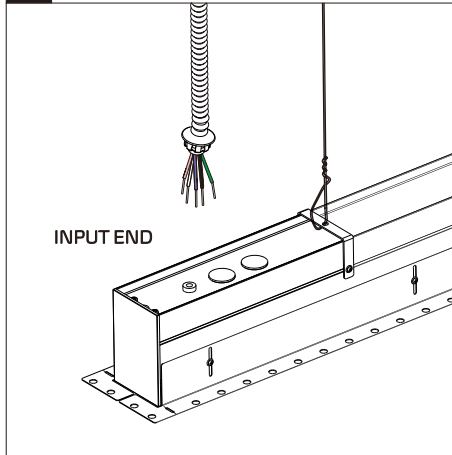
2

Secure both ends of the luminaire with safety ropes.



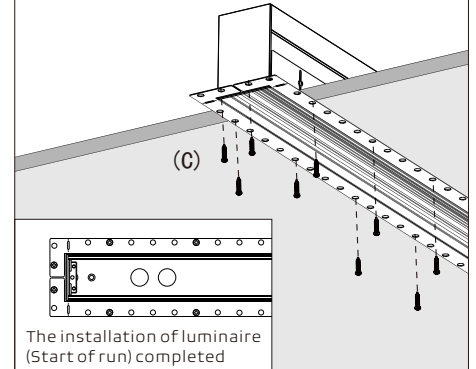
3 Wiring

INPUT END



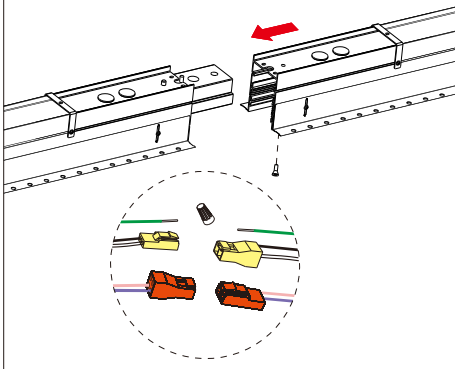
4

Secure the luminaire (Start of run) to the ceiling by screws



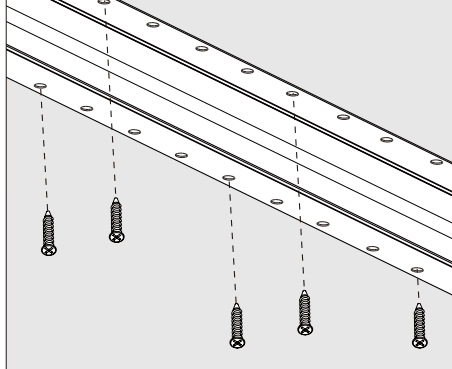
5

Join and secure luminaire (Middle of run) by Line joiner



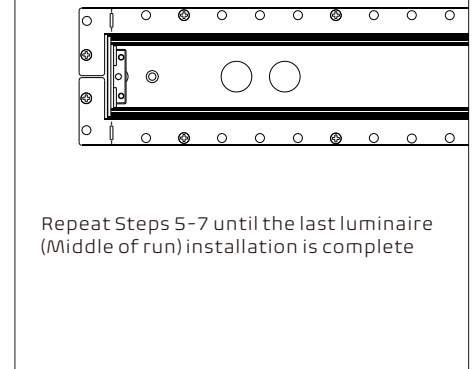
6

Secure the luminaire (Middle of run) to the ceiling by screws

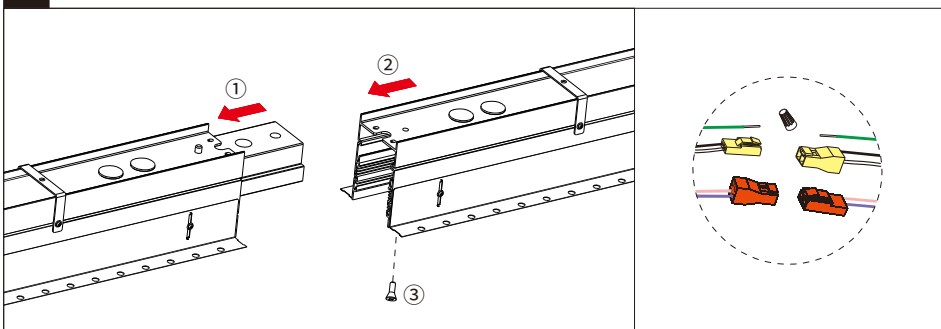


7

Repeat Steps 5-7 until the last luminaire (Middle of run) installation is complete



8

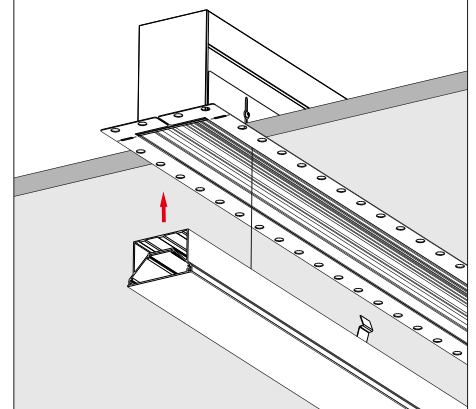


Secure the luminaire (End of run):

1. Slide the whole Line joiner into the last luminaire (Middle of run)
2. Connect the luminaire (End of run) with the last luminaire (Middle of run)
3. Slide the line joiner halfway into the luminaire (End of run) and secure by screws

9

Plug the LED modules into housing

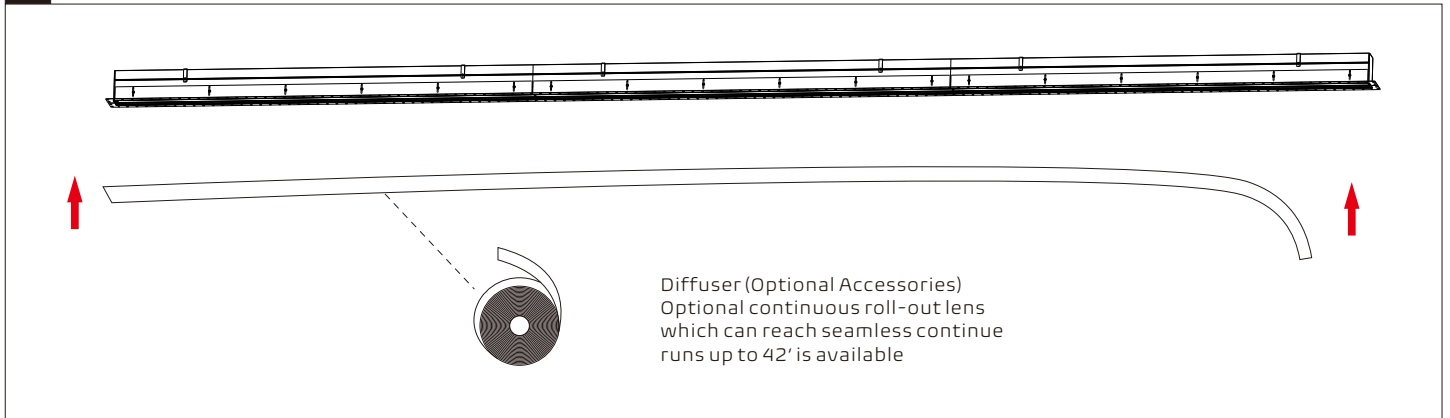


2.3" RECESSED LED

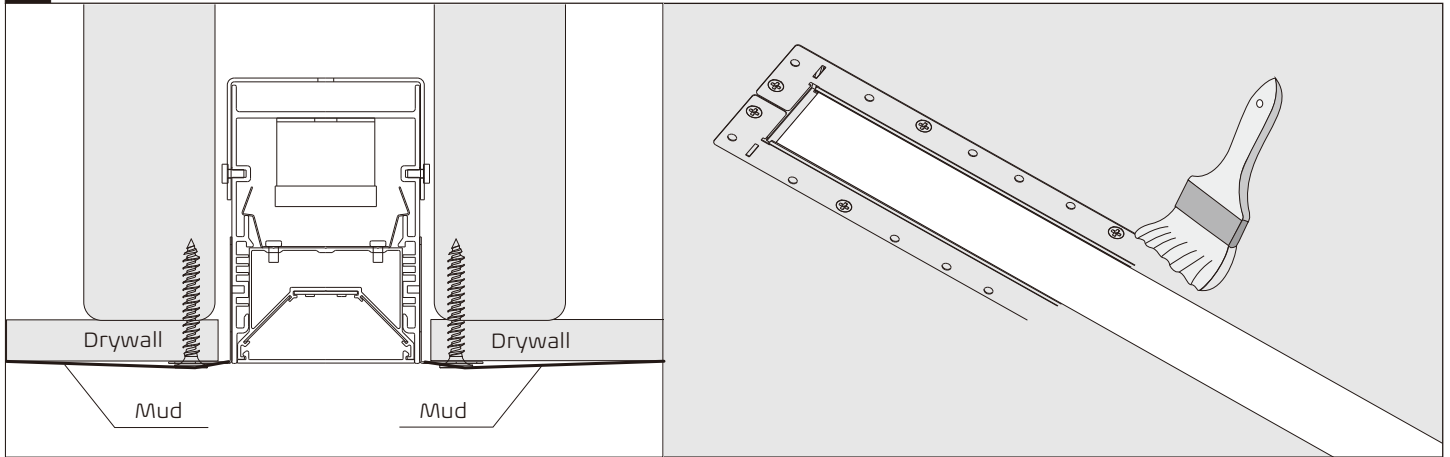
ARCHITECTURAL LED LUMINAIRE DRY CEILING - MULTIPLE LUMINAIRES CONNECTION - LINE CONNECTION

! RISK OF FIRE AND ELECTRICAL SHOCK. FIXTURE MUST BE INSTALLED BY A QUALIFIED ELECTRICIAN ONLY IN ACCORDANCE WITH NATIONAL, LOCAL BUILDING AND ELECTRICAL CODES. DISCONNECT POWER AT ELECTRICAL PANEL BEFORE SERVICING.

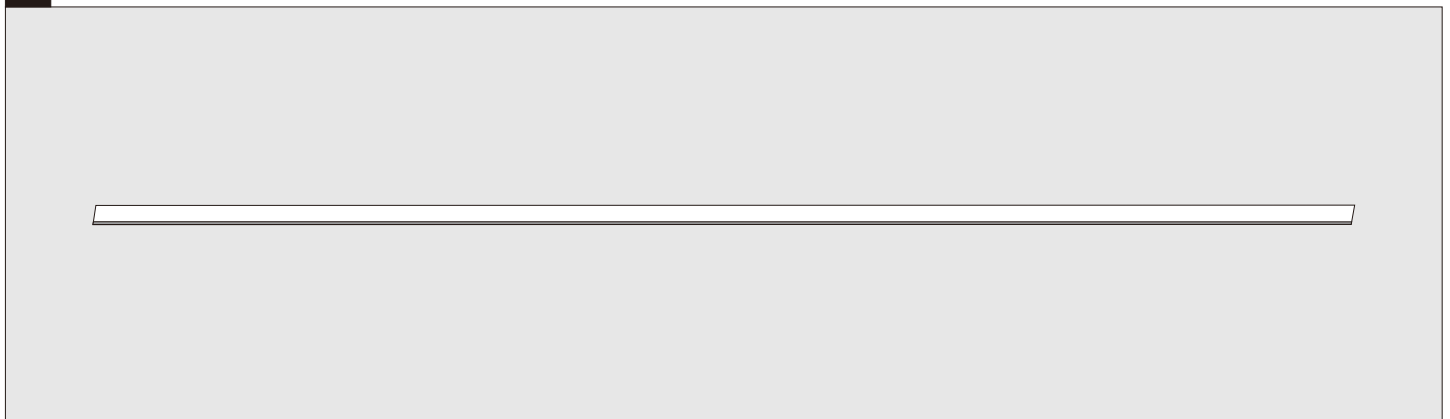
10 Plug the PC diffuser into the housing



11 Plaster and remove the film on the PC diffuser



12 Complete

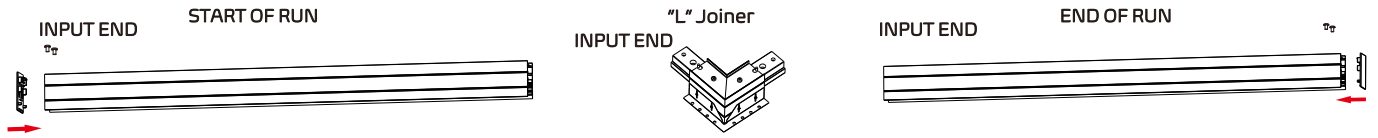


⚠ RISK OF FIRE AND ELECTRICAL SHOCK. FIXTURE MUST BE INSTALLED BY A QUALIFIED ELECTRICIAN ONLY IN ACCORDANCE WITH NATIONAL, LOCAL BUILDING AND ELECTRICAL CODES. DISCONNECT POWER AT ELECTRICAL PANEL BEFORE SERVICING.

MULTIPLE LUMINAIRES CONNECTION - L SHAPE CONNECTION

BEFORE CONNECTING

① Install the end caps



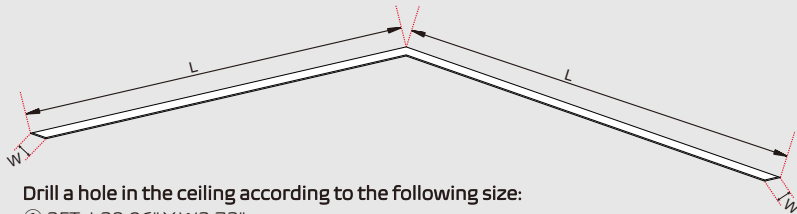
② Install drywall flange kit (A) and safety hanging plate (H) as shown



③ Secure the LED modules with aircraft cable and connect the DC male and female terminals



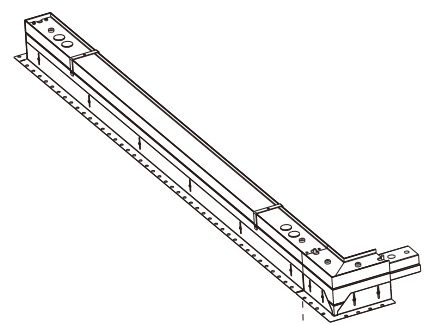
1 Drill a hole in the ceiling



Drill a hole in the ceiling according to the following size:

- ① 2FT: L29.06" X W2.72"
When continuous runs, each additional 2FT fixture, increase the length by 23.51".
- ② 3FT: L41.06" X W2.72"
When continuous runs, each additional 3FT fixture, increase the length by 35.51".
- ③ 4FT: L53.07" X W2.72"
When continuous runs, each additional 4FT fixture, increase the length by 47.52".
- ④ 8FT: L100.59" X W2.72"
When continuous runs, each additional 8FT fixture, increase the length by 95.04".

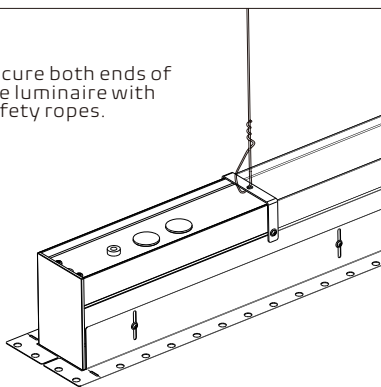
2



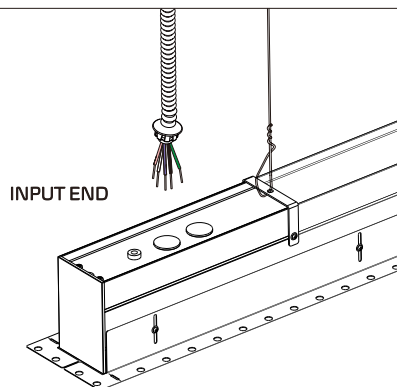
Connect the housing and L joiner by screws as shown.

3

Secure both ends of the luminaire with safety ropes.

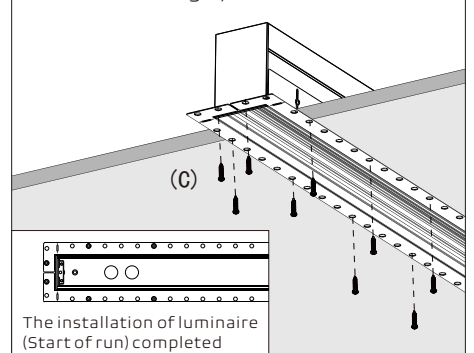


4 Wiring



5

Secure the luminaire (Start of run) to the ceiling by screws



The installation of luminaire (Start of run) completed

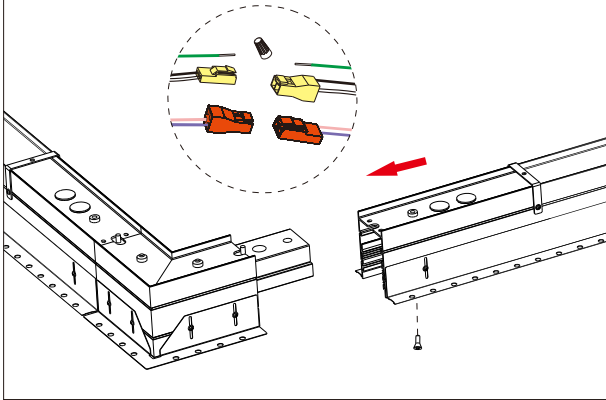
2.3" RECESSED LED

ARCHITECTURAL LED LUMINAIRE DRY CEILING - MULTIPLE LUMINAIRES CONNECTION - L SHAPE CONNECTION

⚠ RISK OF FIRE AND ELECTRICAL SHOCK. FIXTURE MUST BE INSTALLED BY A QUALIFIED ELECTRICIAN ONLY IN ACCORDANCE WITH NATIONAL, LOCAL BUILDING AND ELECTRICAL CODES. DISCONNECT POWER AT ELECTRICAL PANEL BEFORE SERVICING.

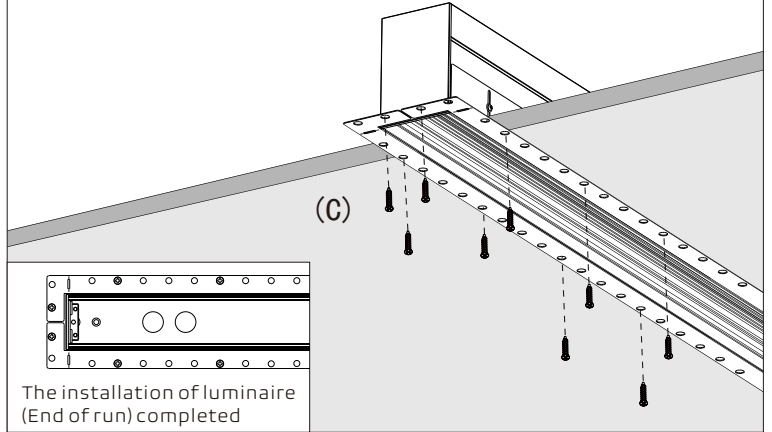
6

Connect the housing (End of run) and L joiner together as shown

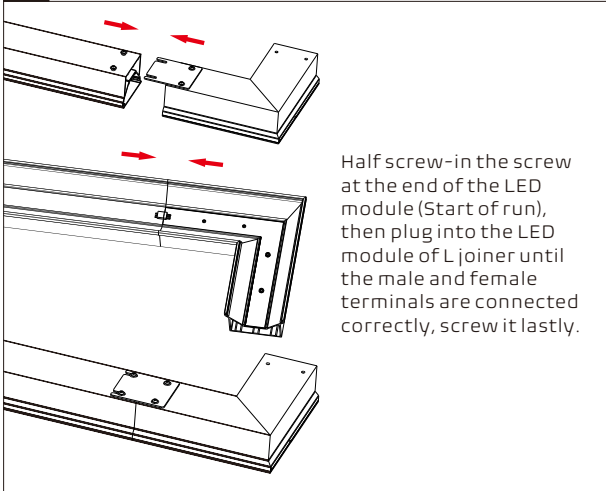


7

Secure the luminaire (End of run) to the ceiling by screws

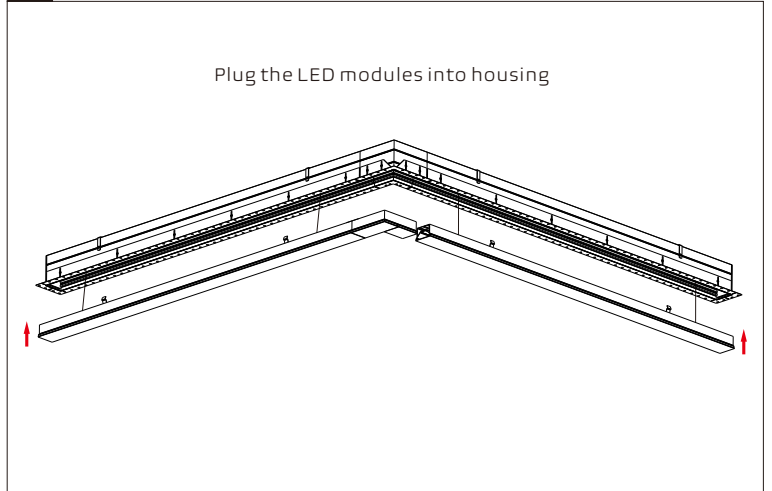


8



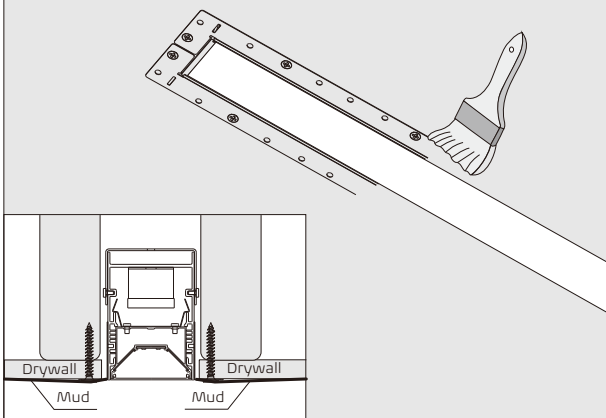
9

Plug the LED modules into housing

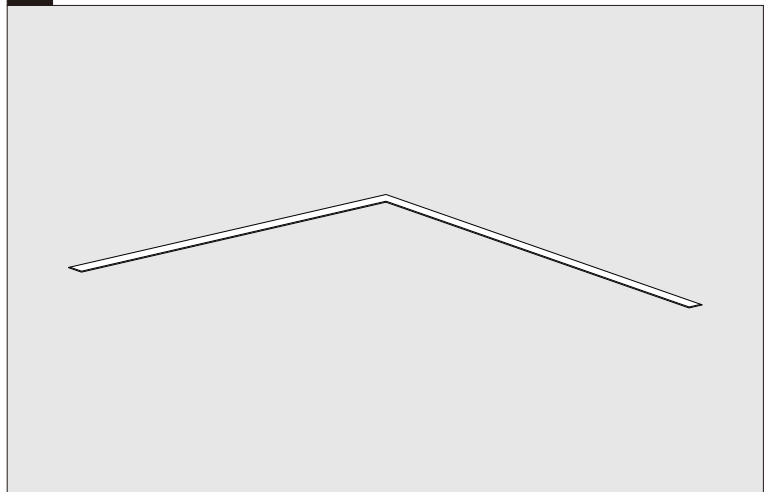


10

Plaster and remove the film on the PC diffuser



11 Complete



2.3" RECESSED LED

ARCHITECTURAL LED LUMINAIRE GRID CEILING

⚠️ RISK OF FIRE AND ELECTRICAL SHOCK. FIXTURE MUST BE INSTALLED BY A QUALIFIED ELECTRICIAN ONLY IN ACCORDANCE WITH NATIONAL, LOCAL BUILDING AND ELECTRICAL CODES. DISCONNECT POWER AT ELECTRICAL PANEL BEFORE SERVICING.

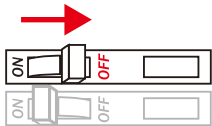
IMPORTANT

1. Read all instructions.
2. Install in accordance with national and local electrical code regulations.
3. This product is intended to be installed and serviced by a qualified, licensed electrician.
4. Do not install in wet locations. For dry and damp use only.
5. Turn off electrical power before installing or servicing fixture in any way.
6. To reduce the risk of fire and overheating, make sure all connections are tight.
7. Under no circumstances can the lighting fixture be covered with heat insulation gasket or similar materials.
8. The maximum connection of each input line is 40FT in 120AC, 100FT in 277AC.

SHOCK HAZARD

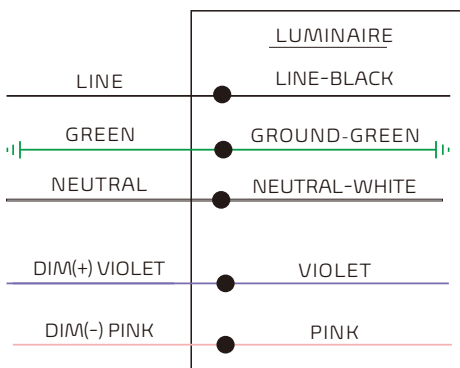


May result in serious injury or death. Turn power OFF at circuit breaker prior to installation or servicing.



WIRING





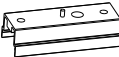
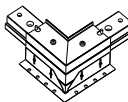
CORD / SUPPLY WIRING



Please isolate two dimming wires by P2 terminal individually if no need dimming; Must connect wires with corresponding colors as shown.

PARTS LISTS

MUD-IN DRYWALL

A  T-grid Hook	B  Screws Screws to fix the T-grid hook to the housing	C  PC diffuser	D  Silicone Seal Note: Silicone seal is used to seal seams that may appear at both ends of luminaires when multiple connections.
E  "-" Joiner	F  "L" Joiner		

Grid Ceiling Installation

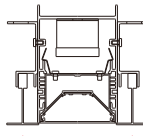
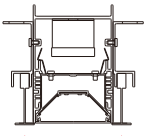
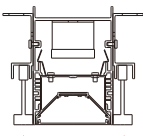
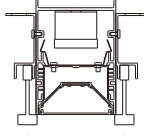
Centre-to-centre distance (Length) 9/16" Flat, 15/16" Flat, 9/16" Slot

2FT: 23.98"
3FT: 35.99"
4FT: 48.00"
8FT: 95.99"

When continuous run:
 Each additional 2FT fixture, increase the length by 23.51".
 Each additional 3FT fixture, increase the length by 35.51".
 Each additional 4FT fixture, increase the length by 47.52".
 Each additional 8FT fixture, increase the length by 95.04".

Grid Ceiling Installation

Centre-to-centre distance (Width)

 3.22" 15/16" Flat	 2.84" 9/16" Flat	 2.91" 9/16" Slot-1	 2.84" 9/16" Slot-2
---	---	--	--

⚠ RISK OF FIRE AND ELECTRICAL SHOCK. FIXTURE MUST BE INSTALLED BY A QUALIFIED ELECTRICIAN ONLY IN ACCORDANCE WITH NATIONAL, LOCAL BUILDING AND ELECTRICAL CODES. DISCONNECT POWER AT ELECTRICAL PANEL BEFORE SERVICING.

INDIVIDUAL INSTALLATION

1

Install the T-grid hook on the housing by screws.
It can be moved up and down according to the different ceiling type.

2

Install end cap as shown

3

Secure the LED module with aircraft cable and connect the DC Male and female terminals

4

Install the luminaire in the T-grid

5

Secure the T-grid hooks with safety ropes

6 Wiring

INPUT END

7

Plug the LED module into housing

8 Complete

⚠ RISK OF FIRE AND ELECTRICAL SHOCK. FIXTURE MUST BE INSTALLED BY A QUALIFIED ELECTRICIAN ONLY IN ACCORDANCE WITH NATIONAL, LOCAL BUILDING AND ELECTRICAL CODES. DISCONNECT POWER AT ELECTRICAL PANEL BEFORE SERVICING.

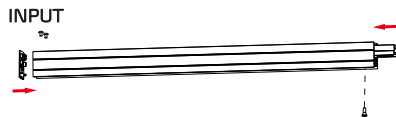
MULTIPLE LUMINAIRES CONNECTION – LINE CONNECTION

BEFORE CONNECTING

① Install the end caps and line joiners

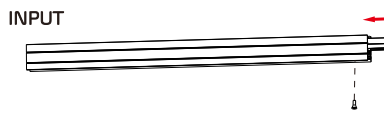
START OF RUN

Install end caps and Line joiners as shown



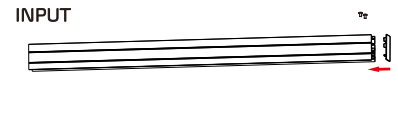
MIDDLE OF RUN

Install Line joiners as shown



END OF RUN

Install end caps as shown



② Install T-grid hooks (A) as shown

START OF RUN



MIDDLE OF RUN



END OF RUN



③ Secure the LED modules with aircraft cable and connect the DC male and female terminals

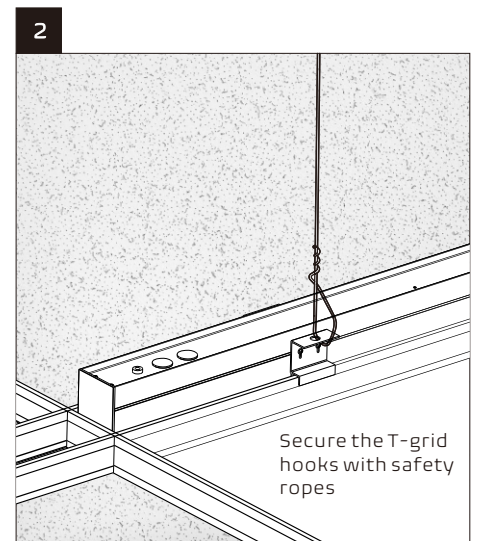
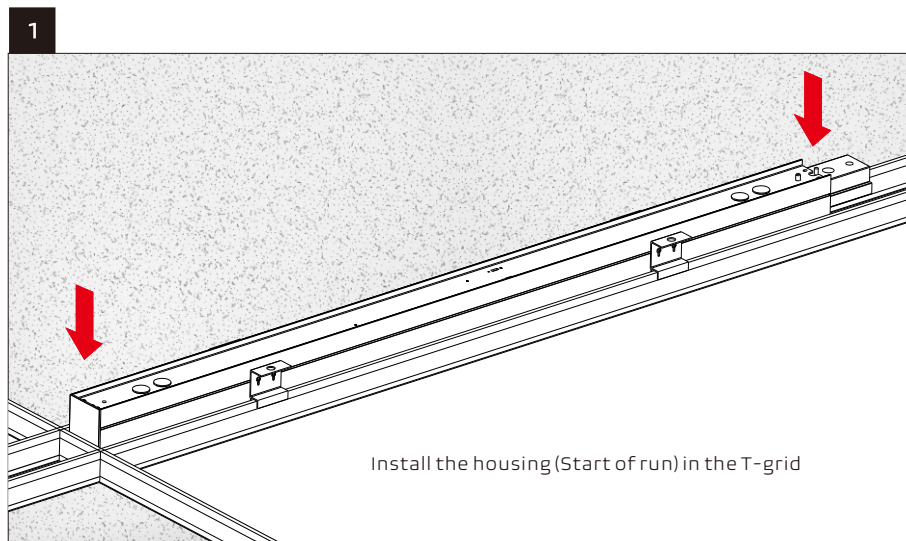
START OF RUN



MIDDLE OF RUN



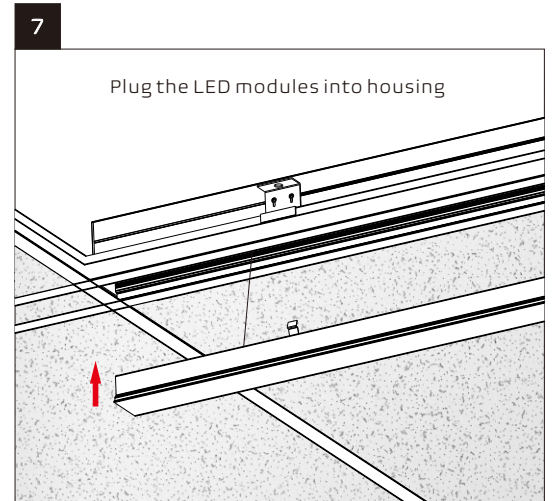
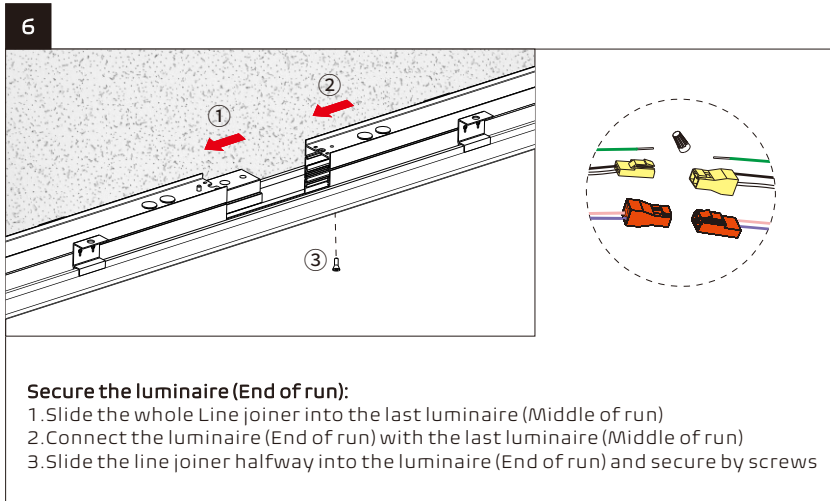
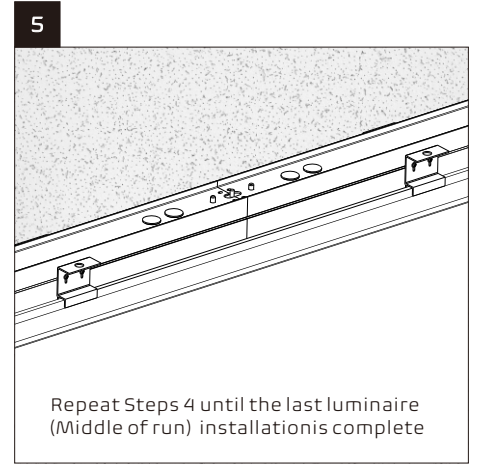
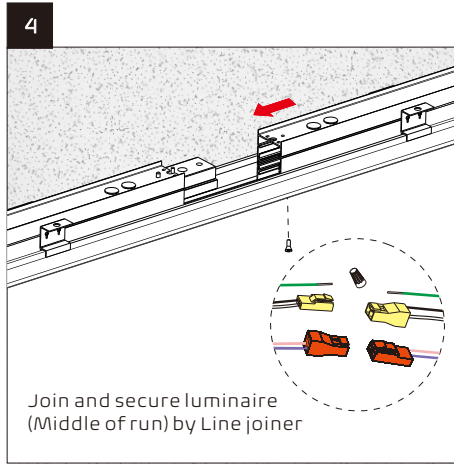
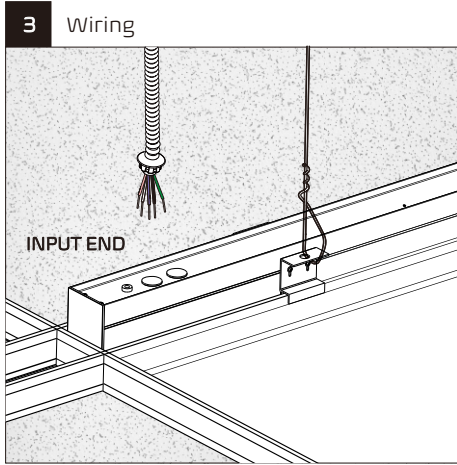
END OF RUN



2.3" RECESSED LED

ARCHITECTURAL LED LUMINAIRE GRID CEILING-MULTIPLE LUMINAIRES CONNECTION – LINE CONNECTION

⚠ RISK OF FIRE AND ELECTRICAL SHOCK. FIXTURE MUST BE INSTALLED BY A QUALIFIED ELECTRICIAN ONLY IN ACCORDANCE WITH NATIONAL, LOCAL BUILDING AND ELECTRICAL CODES. DISCONNECT POWER AT ELECTRICAL PANEL BEFORE SERVICING.

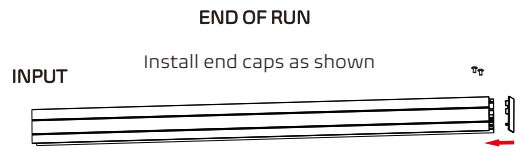
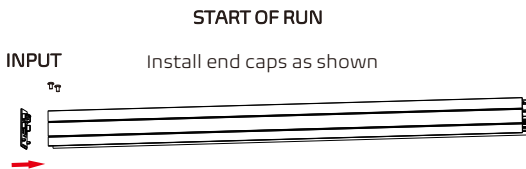


⚠ RISK OF FIRE AND ELECTRICAL SHOCK. FIXTURE MUST BE INSTALLED BY A QUALIFIED ELECTRICIAN ONLY IN ACCORDANCE WITH NATIONAL, LOCAL BUILDING AND ELECTRICAL CODES. DISCONNECT POWER AT ELECTRICAL PANEL BEFORE SERVICING.

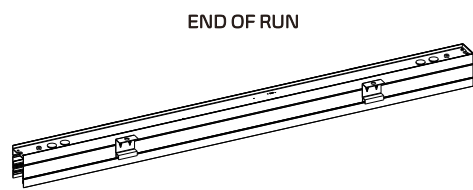
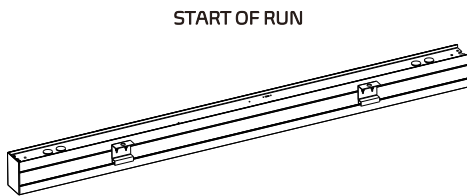
**MULTIPLE LUMINAIRES CONNECTION – L SHAPE CONNECTION
(Attention: It is only suitable for the ceiling which has L pattern)**

BEFORE CONNECTING

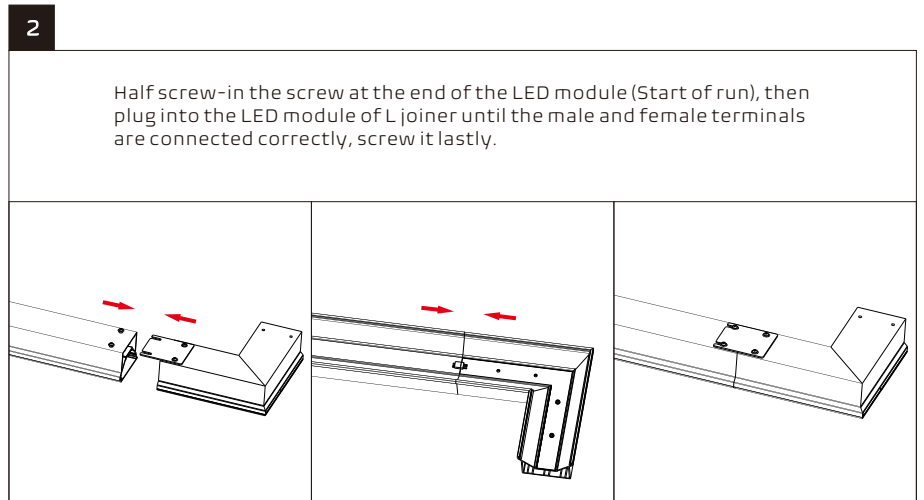
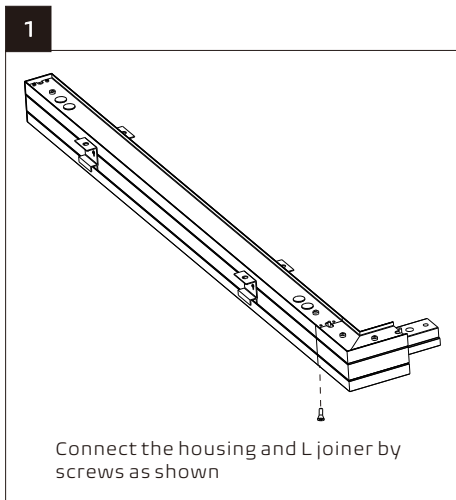
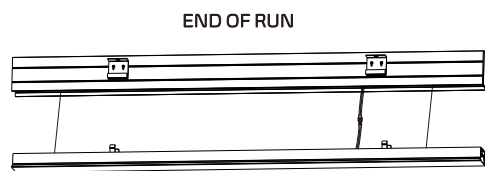
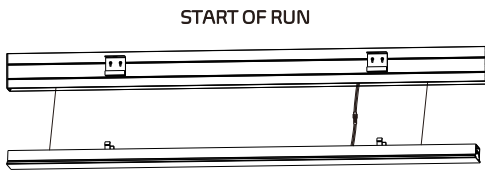
① Install the end caps



② Install T-grid hooks (A) as shown



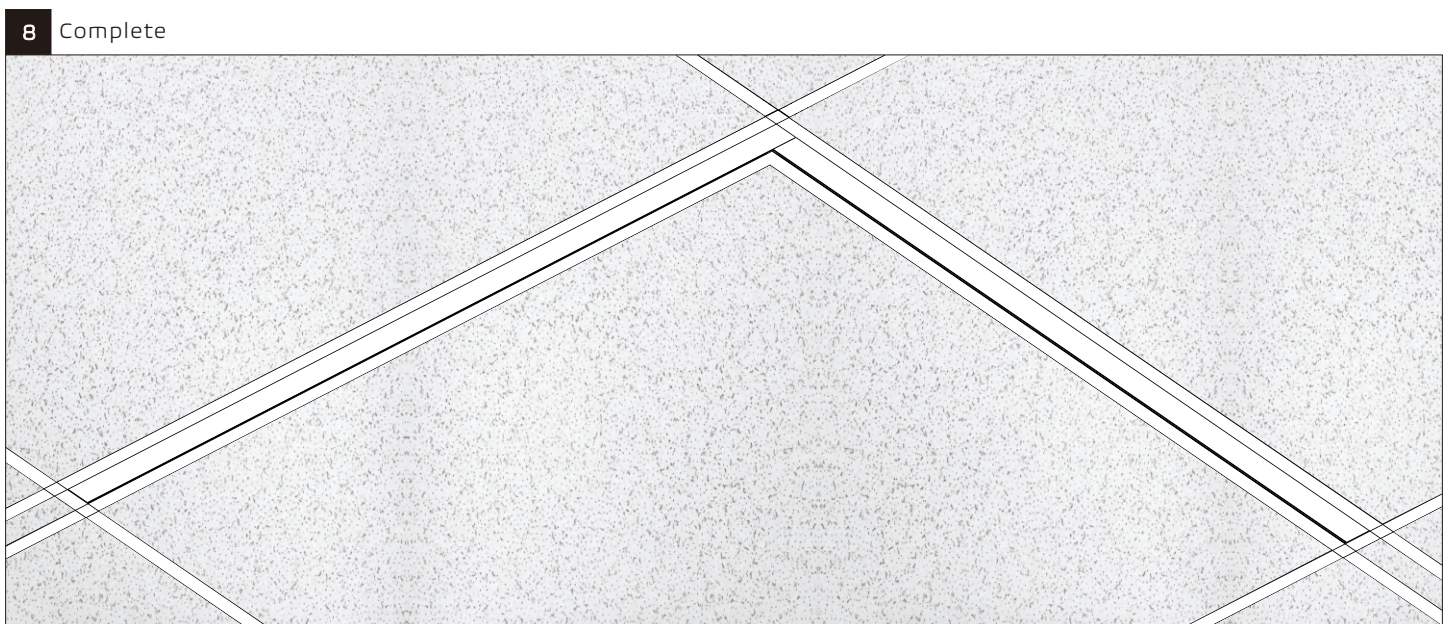
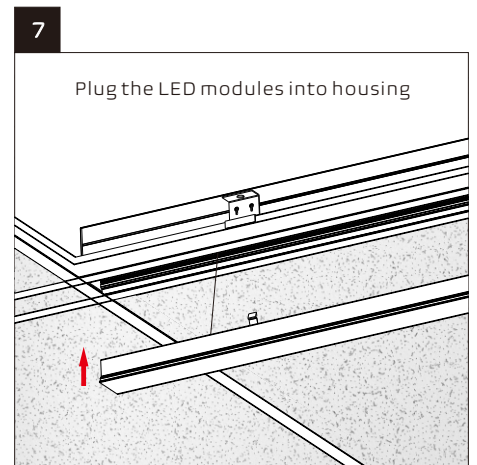
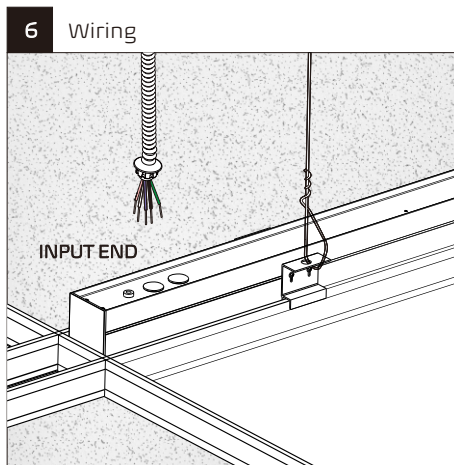
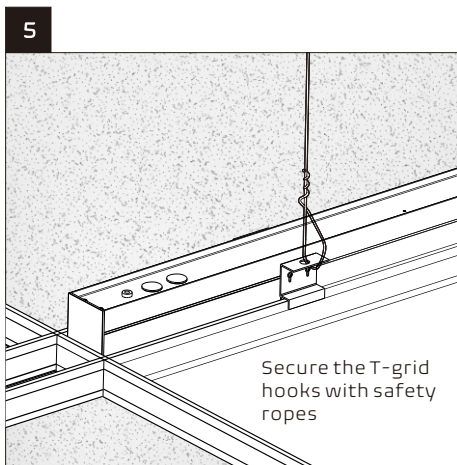
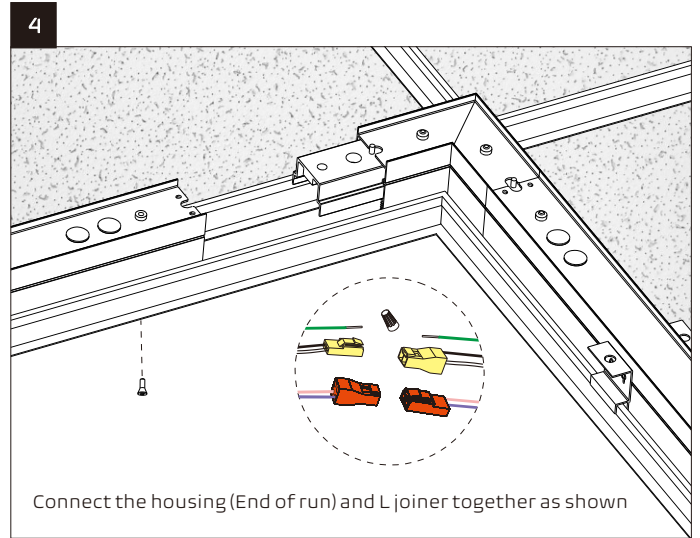
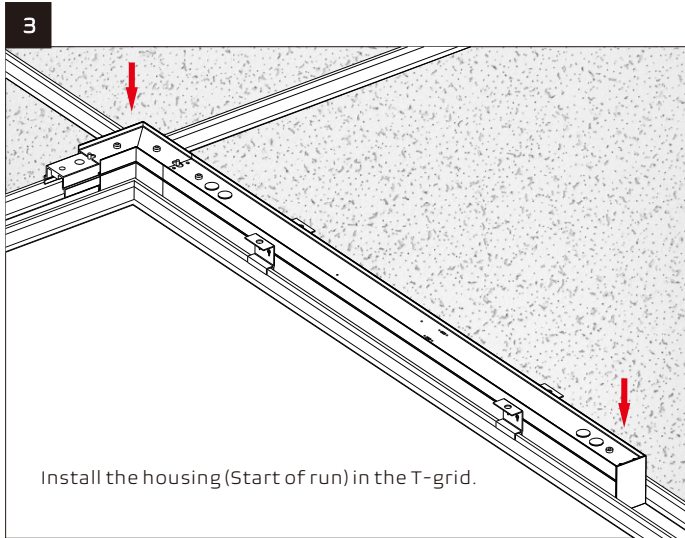
③ Secure the LED modules with aircraft cable and connect the DC male and female terminals



2.3" RECESSED LED

ARCHITECTURAL LED LUMINAIRE GRID CEILING-MULTIPLE LUMINAIRES CONNECTION – L SHAPE CONNECTION

! RISK OF FIRE AND ELECTRICAL SHOCK. FIXTURE MUST BE INSTALLED BY A QUALIFIED ELECTRICIAN ONLY IN ACCORDANCE WITH NATIONAL, LOCAL BUILDING AND ELECTRICAL CODES. DISCONNECT POWER AT ELECTRICAL PANEL BEFORE SERVICING.



2.3" WALL MOUNT LED

Architectural LED Luminaire Independent Installation

⚠ RISK OF FIRE AND ELECTRICAL SHOCK. FIXTURE MUST BE INSTALLED BY A QUALIFIED ELECTRICIAN ONLY IN ACCORDANCE WITH NATIONAL, LOCAL BUILDING AND ELECTRICAL CODES. DISCONNECT POWER AT ELECTRICAL PANEL BEFORE SERVICING.

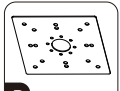
IMPORTANT

1. Read all instructions.
2. Install in accordance with national and local electrical code regulations.
3. This product is intended to be installed and serviced by a qualified, licensed electrician.
4. Do not install in wet locations. For dry and damp use only.
5. Turn off electrical power before installing or servicing fixture in any way.
6. To reduce the risk of fire and overheating, make sure all connections are tight.
7. Under no circumstances can the lighting fixture be covered with heat insulation gasket or similar materials.
8. The maximum connection of each input line is 40FT(1200CM) in 120AC, 80FT(2400CM) in 230AC, 100FT(3000CM) in 277AC.

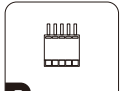
ACCESSORY



Wire Nut



Square plate
(Optional accessory)
Noted: Square plate Compatible for 4" octagon, 4" round, 4" square and 2x4" rectangle junction boxes.



Male quick connector
(5 holes)



Anchor



Screw



Screw

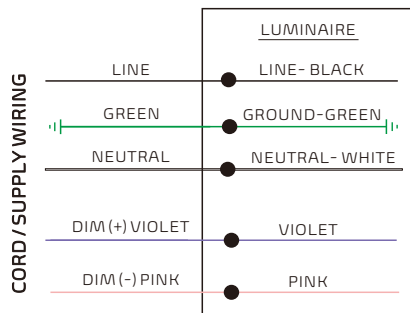


Screw



Wall Mounting Bracket

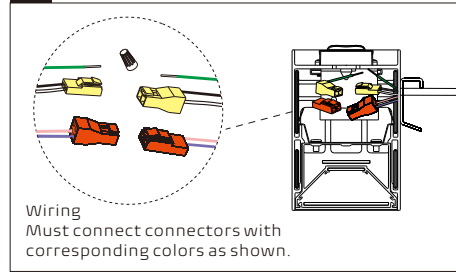
WIRING



⚠ Please isolate two dimming wires by P2 terminal individually if no need dimming; **MUST connect wires with corresponding colors as shown.**

INDEPENDENT INSTALLATION

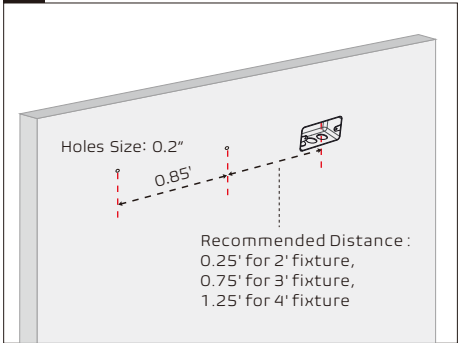
1 Assemble Power Cord



Wiring
Must connect connectors with corresponding colors as shown.

Take off the end cap and LED modular, thread the power cord out of the housing as shown. Wiring and then remount LED modular and end cap.

2 Install mounting point on wall

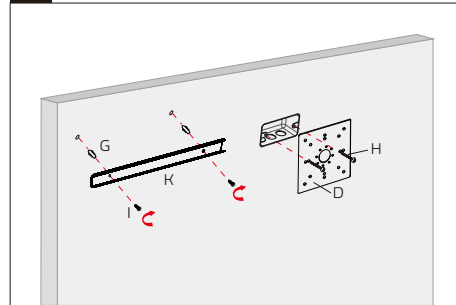


Holes Size: 0.2"

0.85'

Recommended Distance:
0.25' for 2' fixture,
0.75' for 3' fixture,
1.25' for 4' fixture

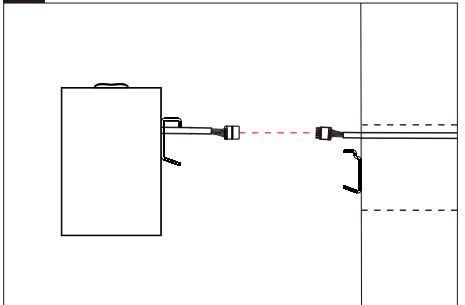
3 Install plate and bracket



2-1: Insert Anchor "G" into hole and fix the wall mounting bracket "K" with screw "I".

2-2: Mount the square cover plate "D" onto J-box with screw "H", then plastering.

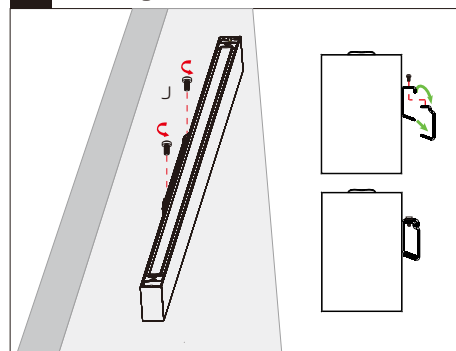
4 Wiring



3-1: Plug in AC wires, dimming wires and ground wire into the male quick connector "E" according to label instructions.

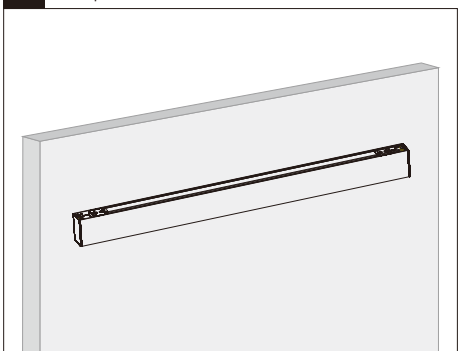
3-2: Plug in the male and female connector together, hide all wires into the junction box.

5 Mounting



Match the hole position of the fixture and "wall mounting bracket", and mount the fixture onto wall with screw "J".

6 Complete



2.3" WALL MOUNT LED

Architectural LED Luminaire Multiple Luminaires Connection

⚠ RISK OF FIRE AND ELECTRICAL SHOCK. FIXTURE MUST BE INSTALLED BY A QUALIFIED ELECTRICIAN ONLY IN ACCORDANCE WITH NATIONAL, LOCAL BUILDING AND ELECTRICAL CODES. DISCONNECT POWER AT ELECTRICAL PANEL BEFORE SERVICING.

ACCESSORY



1/2" Joiner

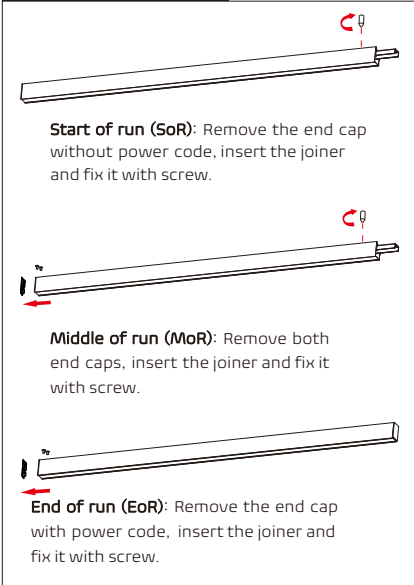


Silicone Seal

Noted: Silicone Seal is used to seal seams that may appear at both ends of luminaires when multiple connections.

BEFORE CONNECTING

Disassemble luminaires



MULTIPLE LUMINAIRES CONNECTION

- 1 Install mounting point on wall**

Holes Size: 0.2"

L1: 0.25' for 2' fixture
0.75' for 3' fixture
1.25' for 4' fixture

L2: 0.85'

L3: 1.11' for 2' fixture
2.11' for 3' fixture
3.11' for 4' fixture
- 2 Install plate and bracket from SoR to EoR**

SoR EoR MoR
- 3 Wiring – SoR**

3-1: Plug in AC wires, dimming wires and ground wire into the male quick connector (5 holes) "E" according to label instructions.

3-2: Plug in the male and female connector together, hide all wires into the junction box.
- 4 Mounting**

Match the hole position of the fixture and "wall mounting bracket", and mount the fixture onto wall with screw "J".
- 5 Repeat install and join steps - MoR to EoR**

Wiring
Must connect connectors with corresponding colors as shown.
- 6 Complete**

Optional 42' Diffuser Lens Roll

