

# 1.3" SURFACE LED

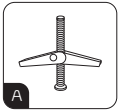
## ARCHITECTURAL LED LUMINAIRE INDEPENDENT INSTALLATION

**⚠️ RISK OF FIRE AND ELECTRICAL SHOCK. FIXTURE MUST BE INSTALLED BY A QUALIFIED ELECTRICIAN ONLY IN ACCORDANCE WITH NATIONAL, LOCAL BUILDING AND ELECTRICAL CODES. DISCONNECT POWER AT ELECTRICAL PANEL BEFORE SERVICING.**

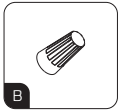
### IMPORTANT

1. Read all instructions.
2. Install in accordance with national and local electrical code regulations.
3. This product is intended to be installed and serviced by a qualified, licensed electrician.
4. Do not install in wet locations. For dry and damp use only.
5. Turn off electrical power before installing or servicing fixture in any way.
6. To reduce the risk of fire and overheating, make sure all connections are tight.
7. Under no circumstances can the lighting fixture be covered with heat insulation gasket or similar materials.
8. The maximum connection of each input line is 40FT(1200CM) in 120AC, 80FT(2400CM) in 230AC, 100FT(3000CM) in 277AC.

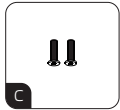
### ACCESSORY



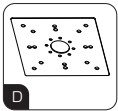
**A** Butterfly Drywall Anchor



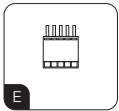
**B** Wire Nut



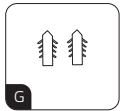
**C** Screw



**D** Square plate  
(Optional accessory)  
Noted: Square plate Compatible for 4" octagon, 4" round, 4" square and 2x4" rectangle junction boxes.



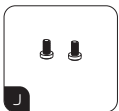
**E** Male quick connector (5 holes)



**G** Anchor

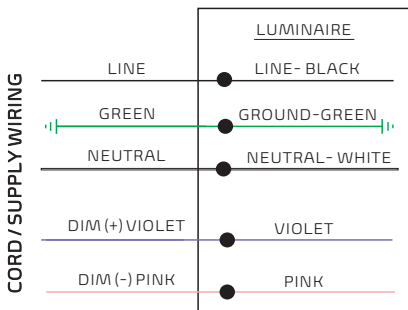


**I** Screw



**J** Screw

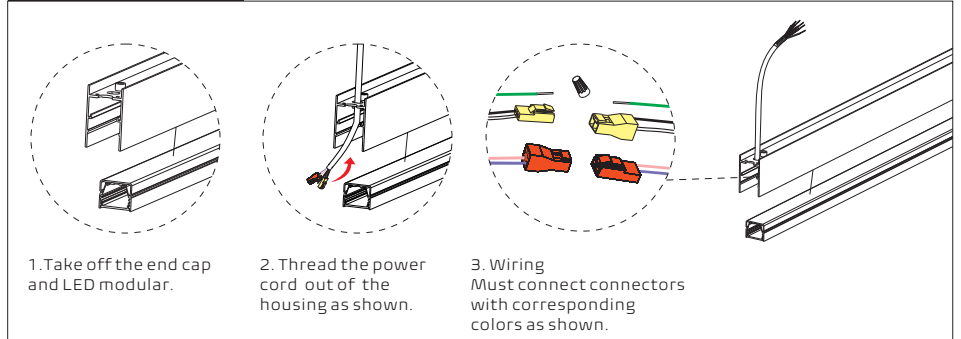
### WIRING



**⚠️** Please isolate two dimming wires by P2 terminal individually if no need dimming; **MUST connect wires with corresponding colors as shown.**

### PRE-INSTALLATION

#### Assemble Power Cord



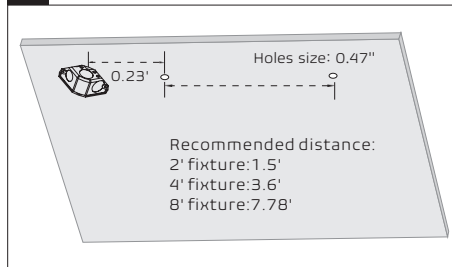
1. Take off the end cap and LED modular.

2. Thread the power cord out of the housing as shown.

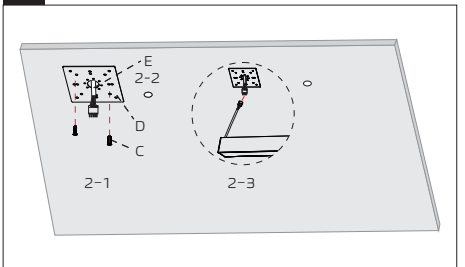
3. Wiring  
Must connect connectors with corresponding colors as shown.

### INDEPENDENT INSTALLATION

#### 1 Prepare mounting point in the ceiling



#### 2 Mount plate and wiring

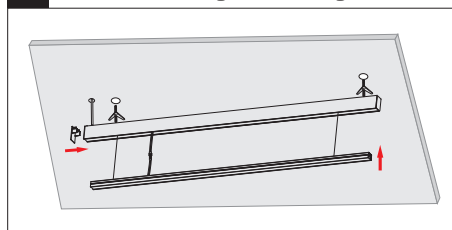


2-1: Cover the junction box with square plate "D" and fix it with screw "C", then plastering.

2-2: Plug in AC wires, dimming wires and ground wire into the male quick connector (5 holes) "E" according to label instructions.

2-3: Plug in the male and female connector together, hide all wires into the junction box.

#### 3 Screw the housing in the ceiling



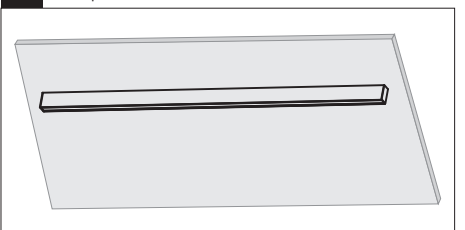
3-1: Fix the housing in the ceiling with butterfly drywall anchor "A".

Remark: Fix the housing with screws "I" if wooden frame ceiling. Fix the housing with anchor "G" and screws "I" if cement drywall.

3-2: Press the LED modular into housing.

3-3: Using glass cement on the end cap, then insert it into the housing.

#### 4 Complete

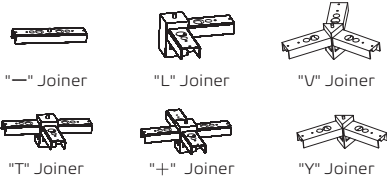


# 1.3" SURFACE LED

## ARCHITECTURAL LED LUMINAIRE MULTIPLE LUMINAIRES CONNECTION

**⚠ RISK OF FIRE AND ELECTRICAL SHOCK. FIXTURE MUST BE INSTALLED BY A QUALIFIED ELECTRICIAN ONLY IN ACCORDANCE WITH NATIONAL, LOCAL BUILDING AND ELECTRICAL CODES. DISCONNECT POWER AT ELECTRICAL PANEL BEFORE SERVICING.**

### JOINER OPTIONS



Noted: It needs 2 inputs if using joiner "T", "+ " and "Y".

### ACCESSORY



Noted: Silicone Seal is used to seal seams that may appear at both ends of luminaires when multiple connections.

### BEFORE CONNECTING

#### Disassemble Luminaires

**Start of run (SoR):**  
Remove the end cap without power code, and take the LED module out.

**Middle of run (MoR):**  
Remove both end caps, and take the LED module out.

**End of run (EoR):**  
Remove the end cap without power code, and take the LED module out.

### LINE CONNECTION

**1 Prepare mounting point in the ceiling**

Holes size: 0.47"

2' fixture: 1.5'  
4' fixture: 3.6'  
8' fixture: 7.78

2' fixture: 2.09'  
4' fixture: 4.19'  
8' fixture: 8.37'

**2 Mount plate and wiring**

2-1: Cover the junction box with square plate "D" and fix it with screw "C", then plastering.

2-2: Plug in AC wires, dimming wires and ground wire into the male quick connector (5holes) "E" according to label instructions.

2-3: Plug in the male and female connector together, hide all wires into the junction box.

**3 Install the housing and joiner – SoR**

3-1: Fix the housing in the ceiling with butterfly drywall anchor "A".  
Remark: Fix the housing with screws "I" if wooden frame ceiling. Fix the housing with Anchor "G" and Screws "I" if cement drywall.

3-2: Insert the joiner "—" into the SoR housing and fix it by screws.

2-1: Cover the junction box with square plate "D" and fix it with screw "C", then plastering.

2-2: Plug in AC wires, dimming wires and ground wire into the male quick connector (5holes) "E" according to label instructions.

2-3: Plug in the male and female connector together, hide all wires into the junction box.

3-1: Fix the housing in the ceiling with butterfly drywall anchor "A".  
Remark: Fix the housing with screws "I" if wooden frame ceiling. Fix the housing with Anchor "G" and Screws "I" if cement drywall.

3-2: Insert the joiner "—" into the SoR housing and fix it by screws.

**4 Repeat install and join steps—MoR to EoR**

Wiring  
Must connect connectors with corresponding colors as shown.

SoR MoR EoR

4-1: Fix the housing in the ceiling in turn.  
4-2: Insert the joiner "—" into the housing and fix it by screws in turn.  
4-3: Connect the quick connectors properly.  
4-4: Insert all the LED modules into the housing from SoR to EoR in turn.

**5 Complete**

**Optional 42' Diffuser Lens Roll**

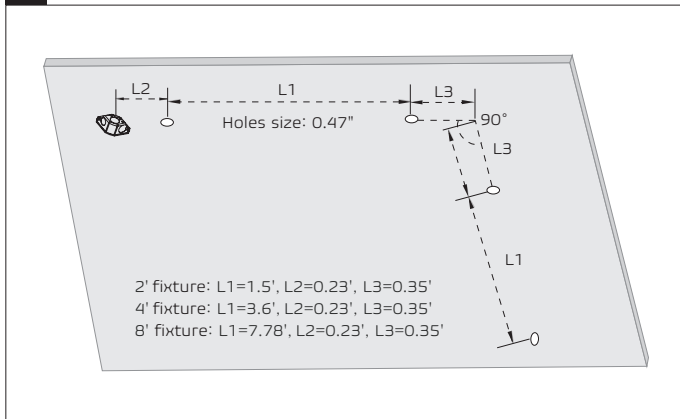
Diffuser (Optional Accessories)  
Optional continuous roll-out lens which can reach seamless continue runs up to 42' is available.

**⚠ RISK OF FIRE AND ELECTRICAL SHOCK. FIXTURE MUST BE INSTALLED BY A QUALIFIED ELECTRICIAN ONLY IN ACCORDANCE WITH NATIONAL, LOCAL BUILDING AND ELECTRICAL CODES. DISCONNECT POWER AT ELECTRICAL PANEL BEFORE SERVICING.**

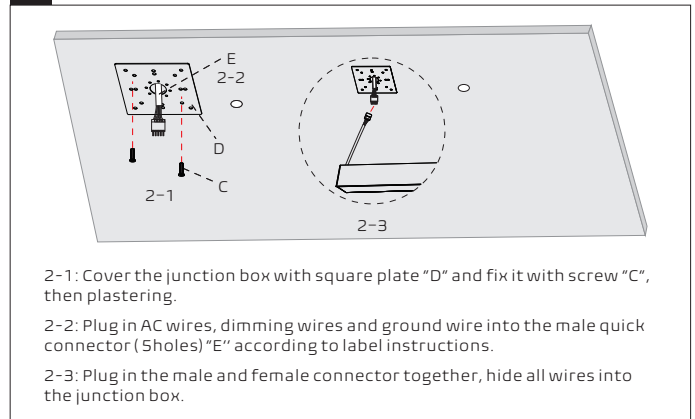
### L SHAPE CONNECTION

- ▲ For "T", "+", "Y" shape or other geometric shapes, all subject to the "L" shape installation
- ▲ It needs 2 inputs if using joiner "T", "+" and "Y".

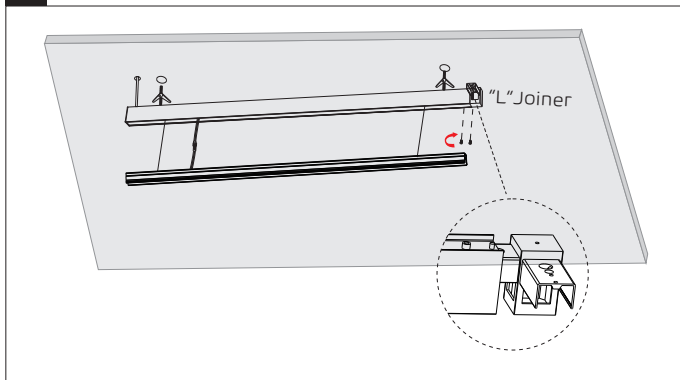
#### 1 Make hole in the ceiling



#### 2 Mount plate and wiring

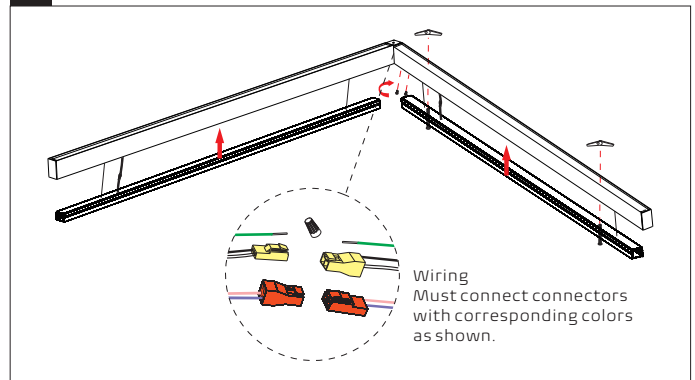


#### 3 Install the housing and joiner – SoR

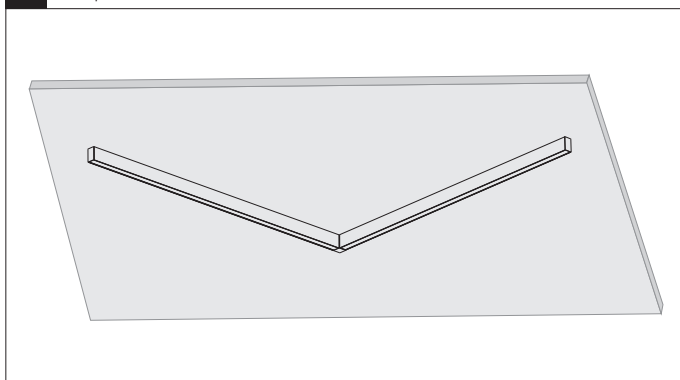


- 3-1: Fix the housing in the ceiling with butterfly drywall anchor "A"  
Remark: Fix the housing with screws "I" if wooden frame ceiling.  
Fix the housing with Anchor "G" and Screws "I" if cement drywall.
- 3-2: Insert the joiner "L" into the SoR housing and fix it by screws.

#### 4



#### 5 Complete



# 1.3" WALL MOUNT LED

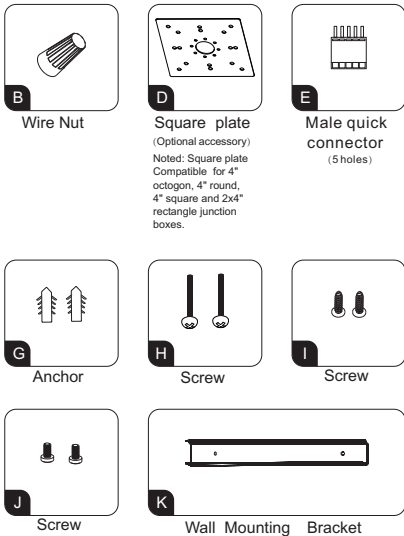
## Architectural LED Luminaire Independent Installation

**⚠ RISK OF FIRE AND ELECTRICAL SHOCK. FIXTURE MUST BE INSTALLED BY A QUALIFIED ELECTRICIAN ONLY IN ACCORDANCE WITH NATIONAL LOCAL BUILDING AND ELECTRICAL CODES. DISCONNECT POWER AT ELECTRICAL PANEL BEFORE SERVICING.**

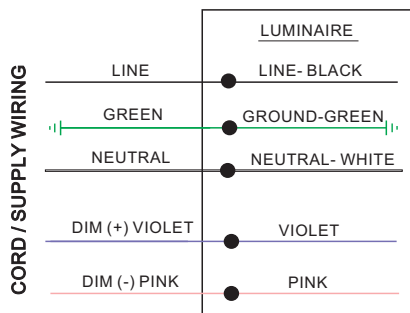
### IMPORTANT

1. Read all instructions.
2. Install in accordance with national and local electrical code regulations.
3. This product is intended to be installed and serviced by a qualified, licensed electrician.
4. Do not install in wet locations. For dry and damp use only.
5. Turn off electrical power before installing or servicing fixture in any way.
6. To reduce the risk of fire and overheating, make sure all connections are tight.
7. Under no circumstances can the lighting fixture be covered with heat insulation gasket or similar materials.
8. The maximum connection of each input line is 40FT(1200CM) in 120AC, 80FT (2400CM) in 230AC, 100FT(3000CM) in 277AC.

### ACCESSORY



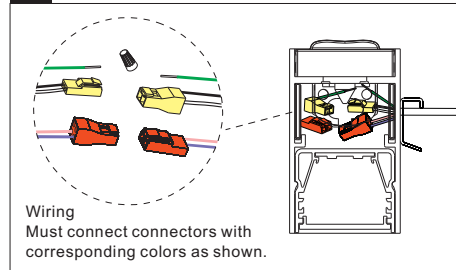
### WIRING



**⚠** Please isolate two dimming wires by P2 terminal individually if no need dimming; **MUST connect wires with corresponding colors as shown.**

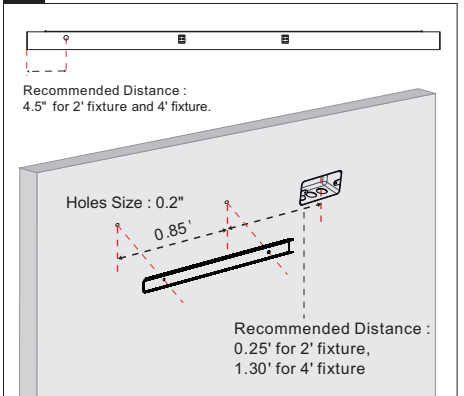
### INDEPENDENT INSTALLATION

#### 1 Assemble Power Cord

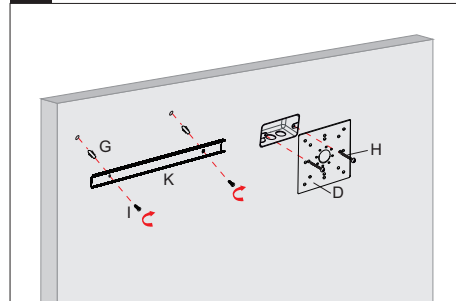


Take off the end cap and LED modular, thread the power cord out of the housing as shown.  
Wiring and then remount LED modular and end cap.

#### 2 Install mounting point on wall

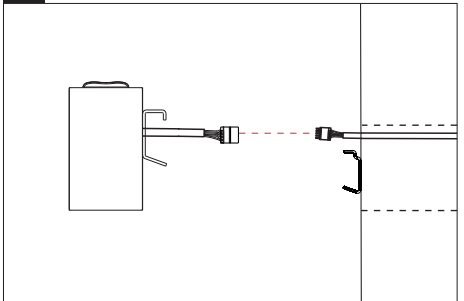


#### 3 Install plate and bracket



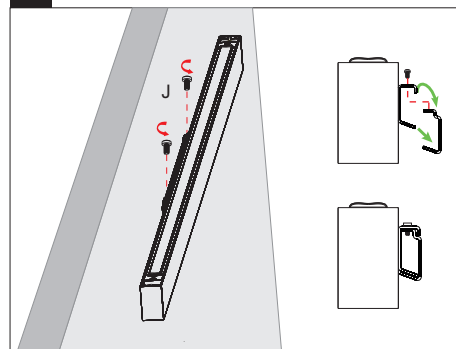
2-1: Insert Anchor "G" into hole and fix the wall mounting bracket "K" with screw "I".  
2-2: Mount the square cover plate "D" onto J-box with screw "H", then plastering.

#### 4 Wiring



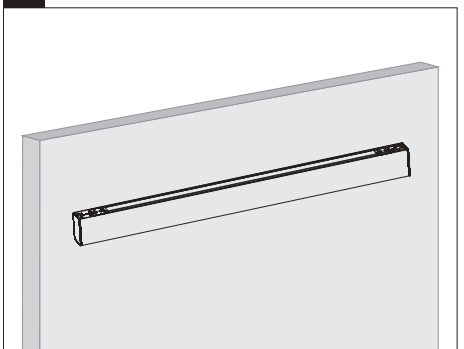
3-1: Plug in AC wires, dimming wires and ground wire into the male quick connector (5 holes) "E" according to label instructions.  
3-2: Plug in the male and female connector together, hide all wires into the junction box.

#### 5 Mounting



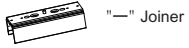
Match the hole position of the fixture and "wall mounting bracket", and mount the fixture onto wall with screw "J".

#### 6 Complete



**⚠ RISK OF FIRE AND ELECTRICAL SHOCK. FIXTURE MUST BE INSTALLED BY A QUALIFIED ELECTRICIAN ONLY IN ACCORDANCE WITH NATIONAL, LOCAL BUILDING AND ELECTRICAL CODES. DISCONNECT POWER AT ELECTRICAL PANEL BEFORE SERVICING.**

**ACCESSORY**



"—" Joiner



Silicone Seal

Noted: Silicone Seal is used to seal seams that may appear at both ends of luminaires when multiple connections.

**BEFORE CONNECTING**

**Disassemble luminaires**



**Start of run (SoR):** Remove the end cap without power code, insert the joiner and fix it with screw.



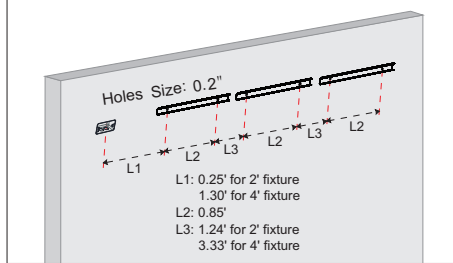
**Middle of run (MoR):** Remove both end caps, insert the joiner and fix it with screw.



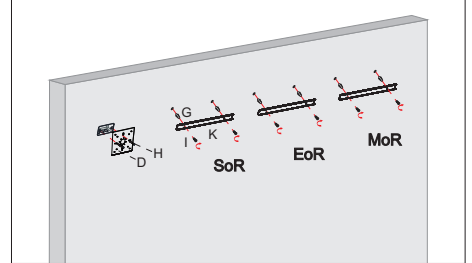
**End of run (EoR):** Remove the end cap with power code, insert the joiner and fix it with screw.

**MULTIPLE LUMINAIRES CONNECTION**

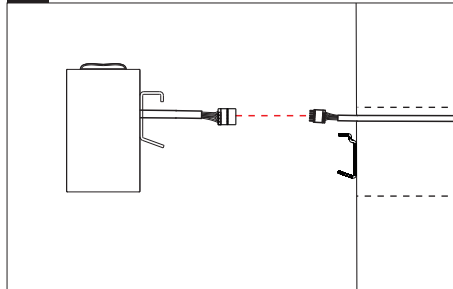
**1 Install mounting point on wall**



**2 Install plate and bracket from SoR to EoR**



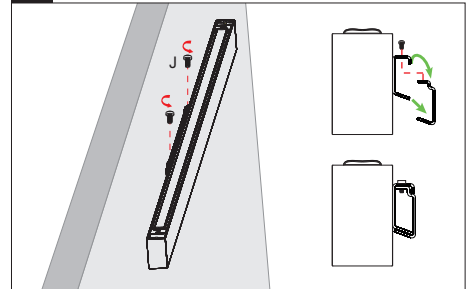
**3 Wiring – SoR**



3-1: Plug in AC wires, dimming wires and ground wire into the male quick connector ( 5 holes ) "E" according to label instructions.

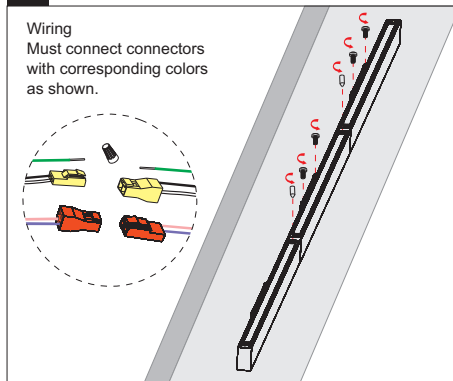
3-2: Plug in the male and female connector together, hide all wires into the junction box.

**4 Mounting**



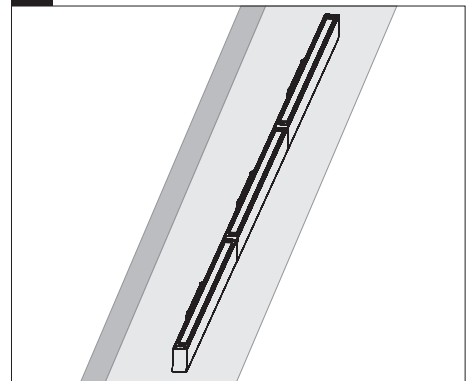
Match the hole position of the fixture and "wall mounting bracket", and mount the fixture onto wall with screw "J".

**5 Repeat instal and join steps - MoR to EoR**

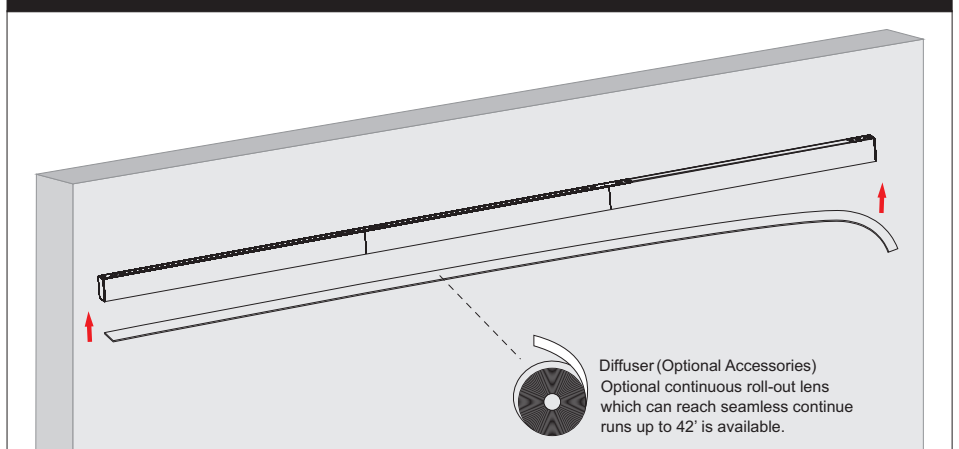


**Wiring**  
Must connect connectors with corresponding colors as shown.

**6 Complete**



**Optional 42' Diffuser Lens Roll**



**Diffuser (Optional Accessories)**  
Optional continuous roll-out lens which can reach seamless continue runs up to 42' is available.