

OCTANE

Architectural Troffer

Type: _____ Fixture: _____

TECHNICAL DATA

► Finish

Extruded aluminum housing with powder coat white finish provides long term performance and superior aesthetic.

► Electrical

LED Driver Powered by Class 2 high efficiency LED driver, with a standard 1-10V dimming which continuous dims to 10%
Compatible with many types of controls. Tested Dimmers: Lutron @ Diva-Dvtv, Leviton @ IP-710-DL.

THD <20%

Power Factor >0.9

Input Voltage Standard electronic driver is UL recognized and available for 110-277V or 110-347V AC.

► LED System

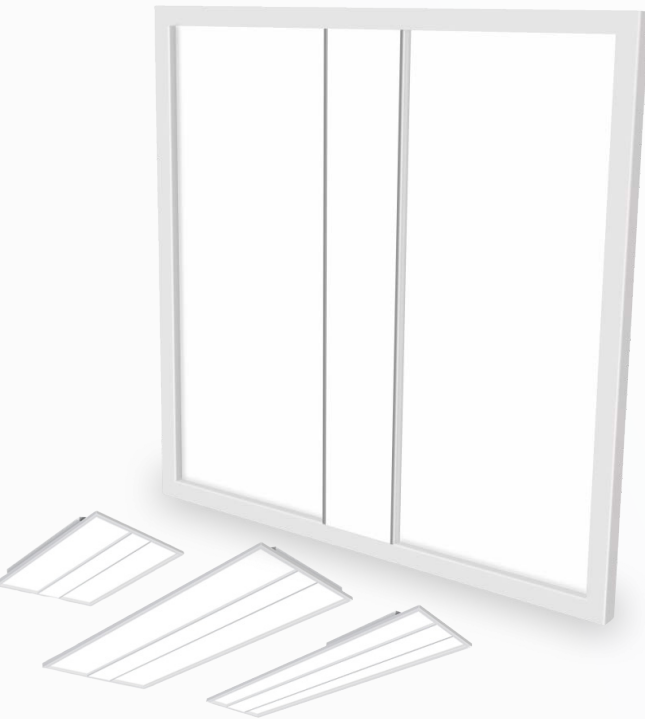
CRI Minimum 80 color rendering index

CCT CCT adjustable from 3500K, 4000K and 5000K with a great color consistency

LED Lifetime Minimum 50,000h with 87.8% of lumen maintenance in 25°C ambient temperature, in compliance with IES LM-80 testing measurements.

Thermal Aluminum housing acting as the heat sink to maximize life.

Environment Damp rated in operating ambient temperatures of -20~40°C.



DESCRIPTION

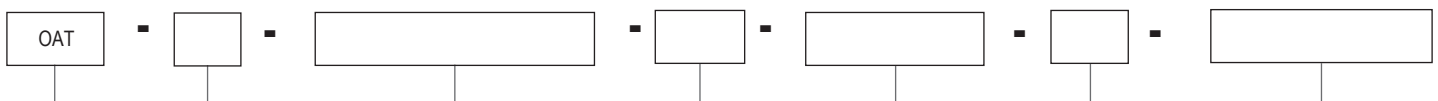
The Octane architectural troffer is designed to deliver uniformity backlit volumetric illumination with a compact yet sturdy construction featuring a low profile form factor designed to blend into modern architectural spaces and for buildings with a low plenum space.

INTENDED USE

The Octane series delivers uniformed for applications such as offices, schools, retail locations and hospitals.



ORDERING INFORMATION



Series	Size	Lumen Package	Voltage	CCT	Control	Options
OAT - (Octane Architectural Troffer)	14 - (1'X4')	3543 - (Watt/Lumen Adjust)	U - 110-277V	3CCT- (3500K/4000K/5000K)	D10 - (0-10V)	EM12 - (Field installed 12W inverter) EM8 - (Field installed 8W inverter) EMFI - (Factory installed 6W emergency backup)
	22 - (2'X2')					
	24 - (2'X4')	5062 - (Watt/Lumen Adjust)				

*Additional cost and/or lead time on customized fixtures may apply. Please contact your sales rep for more information.

OCTANE

Architectural Troffer

Type:

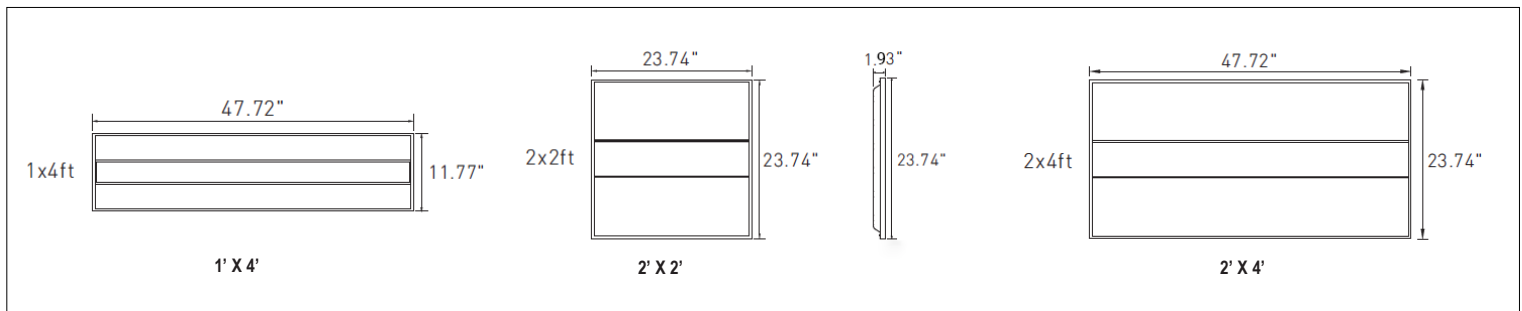
Fixture:

PERFORMANCE

Model NO.	Dimension	Wattage Adjustable	Lumen Output			Efficacy	CCT Adjustable
			High	Medium	Low		
OAT-22-3543	2'x2'	35W/30W/25W	4300lm	3700lm	3100lm	Up to 125lm/w	3500K/4000K/5000K
OAT-24-5062	2'x4'	50W/40W/30W	6200lm	5000lm	3700lm	Up to 125lm/w	3500K/4000K/5000K

All efficacy is ±5% base on different CCT and wattage. Check the IES file to gain the accurate data .

DIMENSIONS



AVAILABLE OPTIONS & ACCESSORIES



EMB12 (EM12) Field installed 12W inverter



EMB8 (EM8) Field installed 8W inverter



(EMFI) Factory installed 6W emergency backup



OCCPIR Line Voltage PIR Sensor (Field Installed)

*Sold Separately



*Sold Separately

1 X 4 • SMK-1X4
2 X 2 • SMK-2X2
2 X 4 • SMK-2X4
 Surface Mount Kit



*Sold Separately

1 X 4 • FLG-1X4
2 X 2 • FLG-2X2
2 X 4 • FLG-2X4
 Recessed/Flange Mount Kit

OCTANE

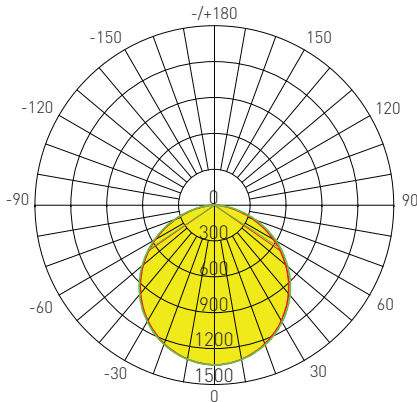
Architectural Troffer

Type:

Fixture:

DISTRIBUTION DIAGRAM

2'X2' / 3500K



AVERAGE BEAM ANGLE(50%): 111.7°

Test Number: OAT-22-3543

Lumens: 3747.4 Lm

Watts: 33.80 W

LPW: 110.86 Lm/W

CCT: 3500K

UNIT: cd

— C0/180, 110.8°

— C30/270, 112.6°

Zonal Flux Diagram

τ	C0	C45	C90	C135	C180
10	1308	1309	1311	1307	1306
20	1233	1236	1242	1233	1232
30	1118	1121	1132	1118	1115
40	964.2	968.6	983.4	966.3	961.9
50	777.6	785.4	802.5	783.2	777.2
60	566.6	575.9	594.9	575.0	568.6
70	344.4	354.0	372.1	354.2	346.5
80	128.7	139.2	154.9	139.9	132.6
90	0	0	0	0	0
100	0	0	0	0	0
110	0	0	0	0	0
120	1.021	0.0582	0.0031	0.0692	0.3140
130	1.326	0.1745	1.151	0.0346	0.9394
140	1.302	0	1.281	0	1.406
150	1.213	0	0.7683	0	1.452
160	0.8069	0	0.7699	0	1.452
170	1.023	0.1111	0.7715	0	1.452
180	1.196	0.1708	0.9402	0	1.452
DEG	LUMINOUS INTENSITY:cd				

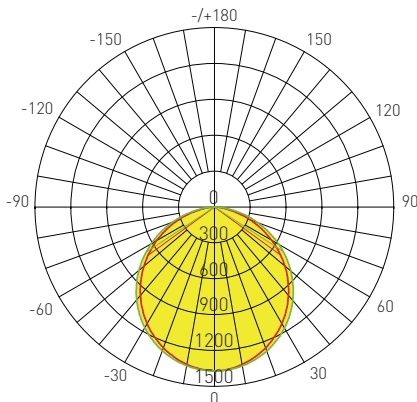
Zonal Lumens

τ	φ total
0-10	126.1
10-20	486.2
20-30	1031
30-40	1686
40-50	2364
50-60	2972
60-70	3430
70-80	3686
80-90	3745
90-100	3745
100-110	3745
110-120	3745
120-130	3746
130-140	3746
140-150	3747
150-160	3747
160-170	3747
170-180	3747
DEG	UNIT: lm

Luminance cd/(m2)

G(DEG)	C0/180	C90/270
85	4616	6897
80	7416	8919
75	8994	10072
70	10072	10875
65	10794	11451
60	11335	11895
55	11773	12229
50	12101	12481
45	12370	12675

1'X4' / 3500K



AVERAGE BEAM ANGLE(50%): 110.8°

Test Number: OAT-14-3543

Lumens: 3786.8 Lm

Watts: 33.72 W

LPW: 112.30 Lm/W

CCT: 3500K

UNIT: cd

— C0/180, 108.0°

— C30/270, 113.7°

Zonal Flux Diagram

τ	C0	C45	C90	C135	C180
10	1336	1347	1348	1340	1336
20	1254	1271	1281	1261	1252
30	1127	1150	1170	1138	1126
40	963.6	989.3	1020	978.3	964.1
50	769.5	795.2	834.4	786.5	771.1
60	551.3	576.8	620.4	571.2	554.9
70	322.2	345.0	387.4	343.2	327.4
80	102.7	128.4	159.0	128.4	111.3
90	0	0.0247	0.5103	0.0435	0
100	0	0	0.5118	0	0
110	0	0	0.5112	0	0
120	0	0.3431	0	0	0
130	0	0.5709	0	0.2935	0.2782
140	0	0.7287	0	0.4054	0.4477
150	0.0863	1.378	0	0.5128	0.6047
160	0.3184	1.551	0	1.301	0.7618
170	1.149	2.584	0.0846	0.398	1.383
180	1.209	2.671	0	2.658	1.468
DEG	LUMINOUS INTENSITY:cd				

Zonal Lumens

τ	φ total
0-10	129.4
10-20	498.5
20-30	1056
30-40	1724
40-50	2412
50-60	3025
60-70	3482
70-80	3729
80-90	3784
90-100	3784
100-110	3785
110-120	3785
120-130	3785
130-140	3785
140-150	3786
150-160	3786
160-170	3787
170-180	3787
DEG	UNIT: lm

Luminance cd/(m2)

G(DEG)	C0/180	C90/270
85	4497	7271
80	5915	9158
75	8087	10431
70	9427	11330
65	10340	11958
60	11033	12412
55	11548	12744
50	11979	12985
45	12309	13172